

PRODUCT DATA SHEET

Part number 110

EAN 4015609000012

Manufacturer WALTHER-WERKE

WEEE-Reg.-Number: DE 22131895

Product description

Wall socket for external fixing 16A 5P 6h with one floor entry on top



Product Image

Detailed product description

WALTHER Wall socket 16A 5P 400V 6h IP44
 made from PA6 material
 with screw terminal
 with one top cable entry
 for external fixing

Ordering Information

Order unit	Piece
Customs number	85366990
Net weight	0,229 kg
Packing quantity (VPE)	10
Length of the packaging	0,31 m
Width of the packaging	0,195 m
Depth of the packaging	0,14 m
Gross weight(VPE)	2,438 kg

Certificates

VDE certification 123017



CQC certification

2004010203136980



EAC certification

BY112.02.01.020 06089



Classification system

Classification system

ETIM_6.0

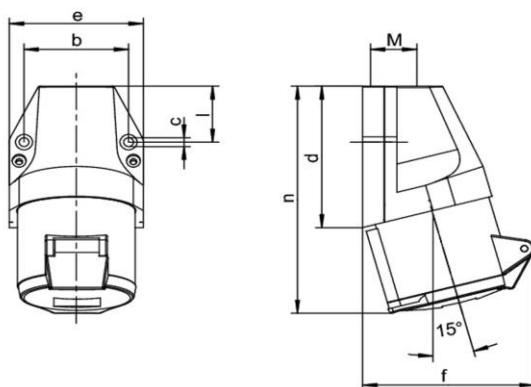
ETIM Class

EC001321

Technical product data

Model	Surface mounted (plaster)
IEC-amperage	16 A
Amperage acc. UL/CSA (for UL-version)	20 A
Number of poles	5
Voltage acc. EN 60309-2	400 V (50+60 Hz) red
Clock hour position	6 h
Identification colour	Red
RAL-number	3000
Degree of protection (IP)	IP44
Connection system	Screwed terminal
Material	Plastic
Type of fastening	External mounting
Insulated mounting	True

Dimension sheet



Amp.	16			32		
	3	4	5	3	4	5
b	45,5	60	60	60	60	60
c	5,3	5,3	5,3	5,3	5,3	5,3
d	74	80	80	97	97	97
e	60	74	74	82	82	82
f	75	86	90	103	103	105
l	28	31	31	45	45	45
n	120	128	129	154	154	155
M	20	20	20	25	25	25