

## PRODUCT DATA SHEET

---

Part number 110306

EAN	4015609008858
Manufacturer	WALTHER-WERKE
WEEE-Reg.-Number:	DE 22131895

### Product description

---

Wall socket for external fixing 16A 3P 6h with one top cable entry



Product Image

### Detailed product description

---

WALTHER Wall socket 16A 3P 230V 6h IP44  
 made from PA6 material  
 with screw terminal  
 for external fixing  
 and with one top cable entry

### Ordering Information

---

Order unit	Piece
Customs number	85366990
Net weight	0,159 kg
Packing quantity (VPE)	10
Length of the packaging	0,31 m
Width of the packaging	0,163 m
Depth of the packaging	0,113 m
Gross weight(VPE)	1,702 kg

### Certificates

---

VDE certification 123017



CQC certification 2004010203136980



EAC certification BY112.02.01.020 06089



## Classification system

Classification system ETIM\_6.0

ETIM Class EC001321

## Technical product data

Model Surface mounted (plaster)

IEC-amperage 16 A

Amperage acc. UL/CSA (for UL-version) 20 A

Number of poles 3

Voltage acc. EN 60309-2 230 V (50+60 Hz) blue

Clock hour position 6 h

Identification colour Blue

RAL-number 5002

Degree of protection (IP) IP44

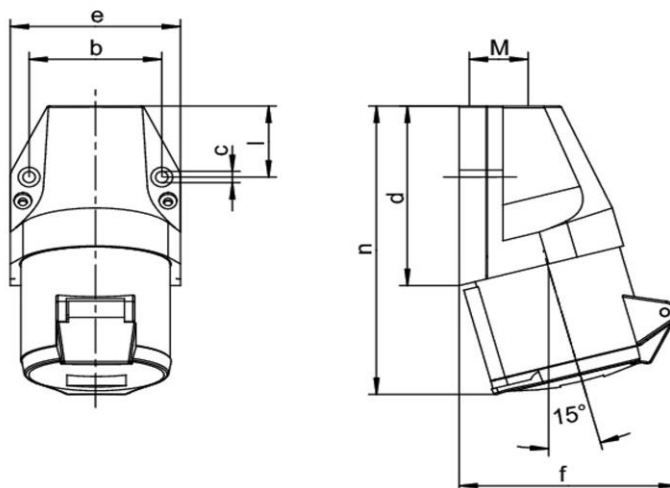
Connection system Screwed terminal

Material Plastic

Type of fastening External mounting

Insulated mounting True

## Dimension sheet



<b>Amp.</b>	<b>16</b>
<b>Pole</b>	<b>3</b>
b	45,5
c	5,3
d	74
e	60
f	75
l	28
n	120
M	20