

PRODUCT DATA SHEET

Part number 130706

EAN 4015609010677

Manufacturer WALThER-WERKE

WEEE-Reg.-Number: DE 22131895

Product description

Wall socket for external fixing 32A 7P 6h with one top cable entry



Product image

Detailed product description

WALThER Wall socket 32A 7P 400V 6h IP44
 made from PA6 material
 with screw terminal
 for external fixing
 and with one top cable entry

Ordering Information

Order unit	Piece
Customs number	85366990
Net weight	0,347 kg
Packing quantity (VPE)	10
Length of the packaging	0,31 m
Width of the packaging	0,255 m
Depth of the packaging	0,15 m
Gross weight(VPE)	3,666 kg

Classification system

Classification system ETIM_6.0

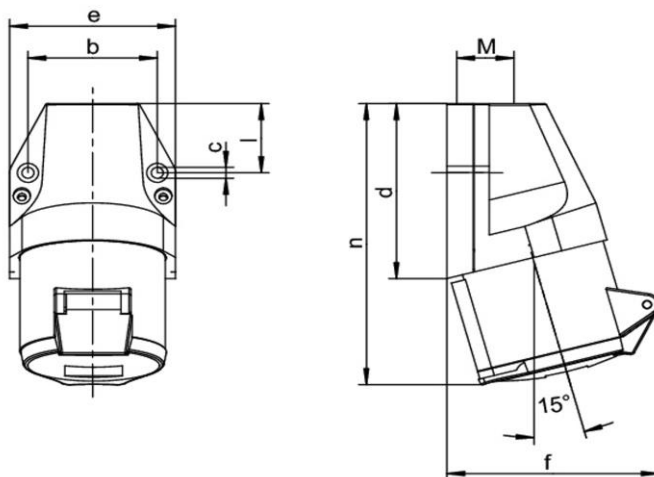
ETIM Class

EC001321

Technical product data

Model	Surface mounted (plaster)
IEC-amperage	32 A
Amperage acc. UL/CSA (for UL-version)	30 A
Number of poles	7
Voltage acc. EN 60309-2	400 V (50+60 Hz) red
Clock hour position	6 h
Identification colour	Red
RAL-number	3000
Degree of protection (IP)	IP44
Connection system	Screwed terminal
Material	Plastic
Type of fastening	External mounting
Insulated mounting	True

Dimension sheet



Amp.	16	32
Pole	7	7
b	60	60
c	5,3	5,3
d	80	97
e	74	82
f	90	105
l	31	45
n	129	155
M	20	25