

PRODUCT DATA SHEET

Part number 139403

EAN 4015609011148

Manufacturer WALTHER-WERKE

WEEE-Reg.-Number: DE 22131895

Product description

Waterproof wall socket for internal fixing 32A 4P 3h with two knock-out cable entries both on top and bottom and knock-out floor entry



Similar image

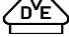

Detailed product description

WALTHER Wall socket 32A 4P 400-440V 3h IP67
 made from PA6 material
 with screw terminal
 for internal fixing
 with two knock-out cable entries both top and bottom
 and one knock-out floor entry

Ordering Information

| | |
|-------------------------|----------|
| Order unit | Piece |
| Customs number | 85366990 |
| Net weight | 0,502 kg |
| Packing quantity (VPE) | 5 |
| Length of the packaging | |
| Width of the packaging | |
| Depth of the packaging | |
| Gross weight(VPE) | 2,51 kg |

Certificates

| | | |
|-------------------|-----------------------|---|
| VDE certification | 123021 |  |
| EAC certification | BY112.02.01.020 06089 |  |

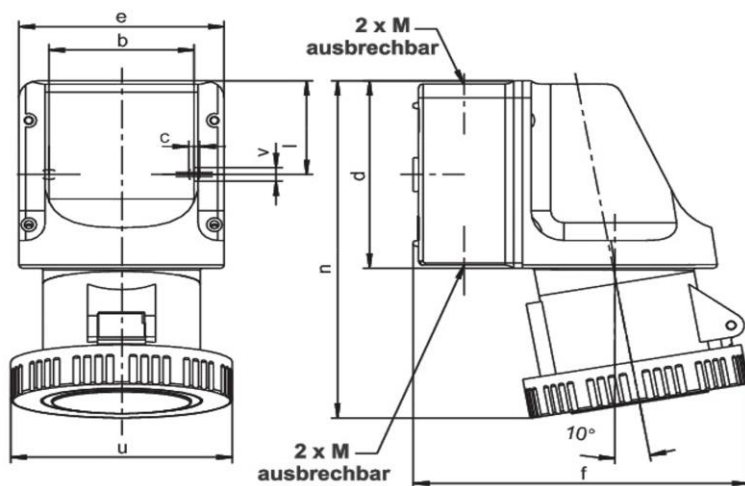
Classification system

| | |
|-----------------------|----------|
| Classification system | ETIM_6.0 |
| ETIM Class | EC001321 |

Technical product data

| | |
|---------------------------------------|---------------------------|
| Model | Surface mounted (plaster) |
| IEC-amperage | 32 A |
| Amperage acc. UL/CSA (for UL-version) | 30 A |
| Number of poles | 4 |
| Voltage acc. EN 60309-2 | 400-440 V (50+60 Hz) red |
| Clock hour position | 3 h |
| Identification colour | Red |
| RAL-number | 3000 |
| Degree of protection (IP) | IP67 |
| Connection system | Screwed terminal |
| Material | Plastic |
| Type of fastening | Inner lying mounting |
| Insulated mounting | True |

Dimension sheet



| | |
|-------------|-----------|
| Amp. | 32 |
| Pole | 4 |
| b | 66,5 |
| c | 5 |
| d | 96 |
| e | 95 |
| f | 154 |
| l | 47,5 |
| n | 176 |
| u | 96 |
| v | 7 |
| M | 20/25 |