

PRODUCT DATA SHEET

Part number 210SL

EAN 4015609380237

Manufacturer WALTHER-WERKE

WEEE-Reg.-Nr: DE 22131895

Product description

Plug 16A 5P 6h screwless and with external cable gland



Product Image

Detailed product description

WALTHER Plug 16A 5P 400V 6h IP44
 made from PA6 material
 screwless
 with insulation displacement technique
 and external cable gland
 Increased safety due to injected 2K seal.



Ordering information

order unit	Piece
customs number	85366990
net weight	0.222 kg
packing quantity (VPE)	10
length of the packaging	0.31 m
width of the packaging	0.163 m
depth of the packaging	0.113 m
gross weight(VPE)	2.332 kg

Conformities

CE conformity	√
RoHS directive	2011/65/EU
RoHS directive	2015/863/EU
REACH regulation	1907/2006

Certification

VDE/ENEC certification	40024787	
EAC certification	BY112.02.01.020 06090	

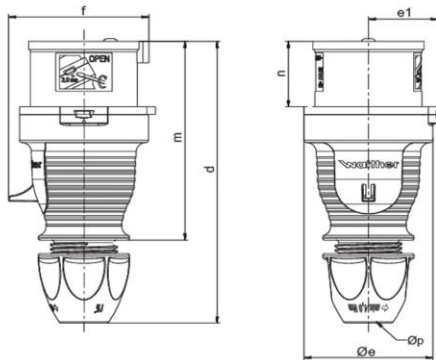
Classification system

classification system	ETIM_7.0
ETIM Class	EC000140

Technical product data

IEC-ampereage	16 A
Number of poles	5
Voltage according to EN 60309-2	400 V (50+60 Hz) red
Clock hour position	6 h
Identification colour	Red
Conductor cross-section	1 - 2.5 mm ²
Cable diameter	7.5 - 18.5 mm
Cable strip length	40 mm +/- 5 mm
Maximum torque cable gland	4 Nm
Degree of protection (IP)	IP44
Connection system	Screw less terminal
Contact material	Brass standard
Cable entry	Swivel
Angle of plug	Straight
Material	Plastic
Inflammability class of insulation material according to with UL94	V2

Dimension sheet



Amp.	16	16	32	32	32
Pole	4	5	3	4	5
d	150-161	150-161	173-185	173-185	174-183
Øe	65	65	72	72	72
e1	35	35	38,5	38,5	38,5
f	63	71	75	75	83
m	111	111	128	128	128
n	37	37	45,5	45,5	45,5
Øp	7,5 - 18,5	7,5 - 18,5	10 - 22,5	10 - 22,5	10 - 22,5