

## PRODUCT DATA SHEET

---

Part number 330306

---

EAN 4015609016624

Manufacturer WALTHER-WERKE

WEEE-Reg.-Number: DE 22131895

### Product description

---

Coupler 32A 3P 6h with external cable gland



Product image

### Detailed product description

---

WALTHER Coupler 32A 3P 230V 6h IP44

made from PA6 material

with screw terminal

with external grommet

and an injected 2K seal

Increased safety due to two contact screws.






### Ordering Information

---

Order unit	Piece
Customs number	85366990
Net weight	0,314 kg
Packing quantity (VPE)	10
Length of the packaging	0,31 m
Width of the packaging	0,255 m
Depth of the packaging	0,15 m
Gross weight(VPE)	3,336 kg

### Certificates

---

VDE/ENEC certification	40024804	
UL certification	No. E329476	
CQC certification	2004010203136970	
EAC certification	BY112.02.01.020 06101	
CSA certification	70096522	

## Classification system

---

Classification system	ETIM_6.0
ETIM Class	EC001320

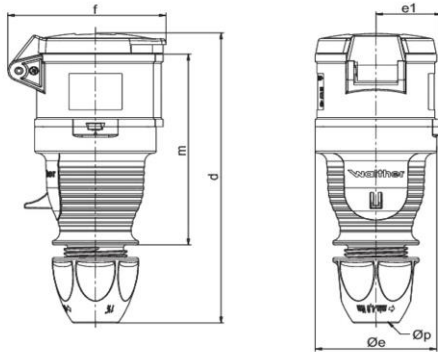
## Technical product data

---

IEC-amperage	32 A
Amperage acc. UL/CSA (for UL-version)	30 A
Number of poles	3
Voltage acc. EN 60309-2	230 V (50+60 Hz) blue
Clock hour position	6 h
Identification colour	Blue
RAL-number	5002
Degree of protection (IP)	IP44
Connection system	Screwed terminal
Angle of plug	Straight
Cable entry	Swivel
Material	Plastic

## Dimension sheet

---



<b>Amp.</b>	16	16	32	32	32
<b>Pole</b>	4	5	3	4	5
<b>d</b>	165-176	165-176	189-199	189-199	189-199
<b>Øe</b>	65	65	72	72	72
<b>e1</b>	35	35	38,5	38,5	38,5
<b>f</b>	77	85	91	91	97
<b>m</b>	114	114	130	130	130
<b>Øp</b>	7,5 - 18,5	7,5 - 18,5	10 - 22,5	10 - 22,5	10 - 22,5