

## PRODUCT DATA SHEET

---

Part number 360

---

EAN 4015609000517

Manufacturer WALTHER-WERKE

WEEE-Reg.-Number: DE 22131895

### Product description

---

Coupler 63A 5P 6h with external grommet



Product Image

### Detailed product description

---

WALTHER Coupler 63A 5P 400V 6h IP44

made from PA6 material

with screw terminal

and grommet

Increased safety due to injected 2K seal

and two contact screws.




### Ordering Information

---

Order unit	Piece
Customs number	85366990
Net weight	0,724 kg
Packing quantity (VPE)	5
Length of the packaging	0,31 m
Width of the packaging	0,255 m
Depth of the packaging	0,15 m
Gross weight(VPE)	3,816 kg

### Certificates

---

VDE certification	40000699	
UL certification	No. E329476	
EAC certification	BY112.02.01.020 06101	

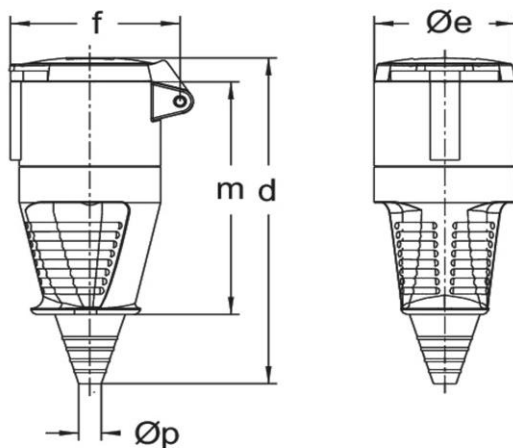
## Classification system

Classification system	ETIM_6.0
ETIM Class	EC001320

## Technical product data

IEC-amperage	63 A
Amperage acc. UL/CSA (for UL-version)	60 A
Number of poles	5
Voltage acc. EN 60309-2	400 V (50+60 Hz) red
Clock hour position	6 h
Identification colour	Red
RAL-number	3000
Degree of protection (IP)	IP44
Connection system	Screwed terminal
Angle of plug	Straight
Cable entry	Anti-kink sleeve
Material	Plastic

## Dimension sheet



Amp.	63			
Pole	3	3	4	5
d	154	266	266	266
Øe	51	96	96	96
f	68	114	114	114
m	109	196	196	196
Øp	7/13	15/33	15/33	15/33