

PRODUCT DATA SHEET

Part number 369406

EAN 4015609017928

Manufacturer WALThER-WERKE

WEEE-Reg.-Number: DE 22131895

Product description

Waterproof coupler 63A 4P 6h with cable gland



Similar image

Detailed product description

WALThER Coupler 63A 4P 400V 6h IP67
 made from PA6 material
 with screw terminal
 with cable gland




Ordering Information

| | |
|-------------------------|----------|
| Order unit | Piece |
| Customs number | 85366990 |
| Net weight | 0,774 kg |
| Packing quantity (VPE) | 5 |
| Length of the packaging | 0,31 m |
| Width of the packaging | 0,255 m |
| Depth of the packaging | 0,15 m |
| Gross weight(VPE) | 4,066 kg |

Certificates

VDE certification 40000699



| | | |
|-------------------|-----------------------|---|
| UL certification | No. E329476 |  |
| CQC certification | 2004010203136990 |  |
| EAC certification | BY112.02.01.020 06101 |  |

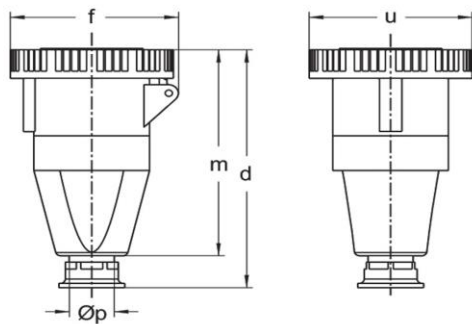
Classification system

| | |
|-----------------------|----------|
| Classification system | ETIM_6.0 |
| ETIM Class | EC001320 |

Technical product data

| | |
|---------------------------------------|----------------------|
| IEC-amperage | 63 A |
| Amperage acc. UL/CSA (for UL-version) | 60 A |
| Number of poles | 4 |
| Voltage acc. EN 60309-2 | 400 V (50+60 Hz) red |
| Clock hour position | 6 h |
| Identification colour | Red |
| RAL-number | 3000 |
| Degree of protection (IP) | IP67 |
| Connection system | Screwed terminal |
| Angle of plug | Straight |
| Cable entry | Swivel |
| Material | Plastic |

Dimension sheet



| Amp. | 16 | 63 | | | 125 | | |
|------|------------|-----------|-----------|-----------|---------|---------|---------|
| Pole | 3 | 3 | 4 | 5 | 3 | 4 | 5 |
| d | 136 | 255 | 255 | 255 | 332 | 332 | 332 |
| f | 78 | 117 | 117 | 117 | 130 | 130 | 130 |
| m | 121 | 206 | 206 | 206 | 275 | 275 | 275 |
| u | 72 | 110 | 110 | 110 | 130 | 130 | 130 |
| Øp | 7,5 - 14,5 | 18 - 34,5 | 18 - 34,5 | 18 - 34,5 | 24 - 45 | 24 - 45 | 24 - 45 |