

PRODUCT DATA SHEET

Part number 610

EAN 4015609000890

Manufacturer WALTHER-WERKE

WEEE-Reg.-Number: DE 22131895

Product description

Wall appliance inlet for external fixing 16A 5P 6h with one top cable entry



Similar image

Detailed product description

WALTHER wall appliance inlet 16A 5P 400V 6h IP44
 made from PA6 material
 with one top cable entry
 for external fixing

Ordering Information

Order unit	Piece
Customs number	85366990
Net weight	0,181 kg
Packing quantity (VPE)	10
Length of the packaging	0,31 m
Width of the packaging	0,195 m
Depth of the packaging	0,14 m
Gross weight(VPE)	1,958 kg

Certificates

VDE certification 123018



CQC certification

2004010203136930



EAC certification

BY112.02.01.020 06091



Classification system

Classification system

ETIM_6.0

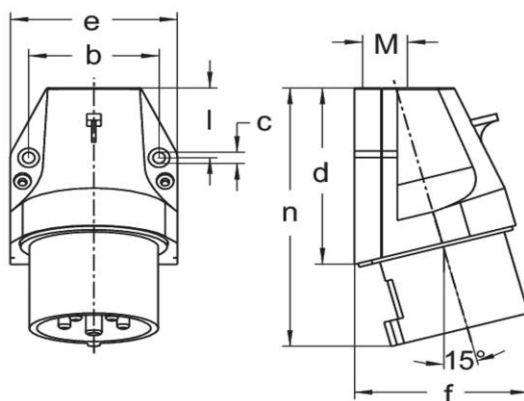
ETIM Class

EC001319

Technical product data

IEC-amperage	16 A
Amperage acc. UL/CSA (for UL-version)	20 A
Number of poles	5
Voltage acc. EN 60309-2	400 V (50+60 Hz) red
Clock hour position	6 h
Identification colour	Red
RAL-number	3000
Degree of protection (IP)	IP44
Connection system	Screwed terminal
Connection type	Wall mounted plug
Angle of plug	Angled
Material	Plastic

Dimension sheet



Amp.	16			32		
Pole	3	4	5	3	4	5
b	45,5	60	60	60	60	60
c	5,3	5,3	5,3	5,3	5,3	5,3
d	74	80	80	97	97	97
e	60	74	74	82	82	82
f	60	73	73	80	80	86
l	28	31	31	45	45	45
n	110	117	117	141	141	141
M	20	20	20	25	25	25