

PRODUCT DATA SHEET

Part number	610306
EAN	4015609023066
Manufacturer	WALTHER-WERKE
WEEE-Reg.-Number:	DE 22131895

Product description

Wall appliance inlet for external fixing 16A 3P 6h with one top cable entry



Product image

Detailed product description

WALTHER Wall appliance inlet 16A 3P 230V 6h IP44
 made from PA6 material
 for external fixing
 and with one top cable entry

Ordering Information

Order unit	Piece
Customs number	85366990
Net weight	0,125 kg
Packing quantity (VPE)	10
Length of the packaging	0,31 m
Width of the packaging	0,163 m
Depth of the packaging	0,113 m
Gross weight(VPE)	1,362 kg

Certificates

VDE certification 123018



CQC certification 2004010203136930



EAC certification BY112.02.01.020 06091



Classification system

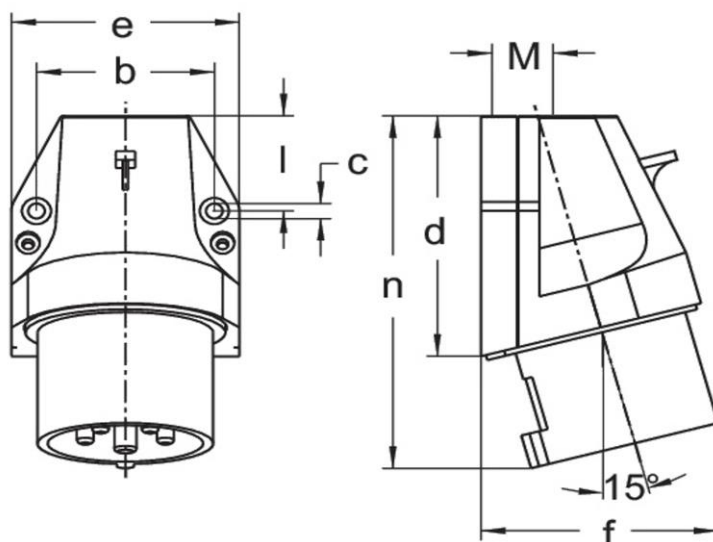
Classification system ETIM_6.0

ETIM Class EC001319

Technical product data

IEC-amperage	16 A
Amperage acc. UL/CSA (for UL-version)	20 A
Number of poles	3
Voltage acc. EN 60309-2	230 V (50+60 Hz) blue
Clock hour position	6 h
Identification colour	Blue
RAL-number	5002
Degree of protection (IP)	IP44
Connection system	Screwed terminal
Connection type	Wall mounted plug
Angle of plug	Angled
Material	Plastic

Dimension sheet



Amp.	16
Pole	3
b	45,5
c	5,3
d	74
e	60
f	60
l	28
n	110
M	20