

PRODUCT DATA SHEET

Part number 668306

EAN 4015609024896

Manufacturer WALTHER-WERKE

WEEE-Reg.-Number: DE 22131895

Product description

Waterproof wall appliance inlet for external fixing
 63A 3P 6h with one top cable entry, non-nickel-
 plated contacts and pilot contact



Similar image

Detailed product description

WALTHER Wall appliance inlet 63A 3P 230V 6h IP67
 made from PA6 material
 with non-nickel-plated contacts
 with with one top cable entry
 and pilot contact
 for external fixing

Ordering Information

| | |
|-------------------------|----------|
| Order unit | Piece |
| Customs number | 85366990 |
| Net weight | 0,825 kg |
| Packing quantity (VPE) | 2 |
| Length of the packaging | |
| Width of the packaging | |
| Depth of the packaging | |
| Gross weight(VPE) | 1,65 kg |

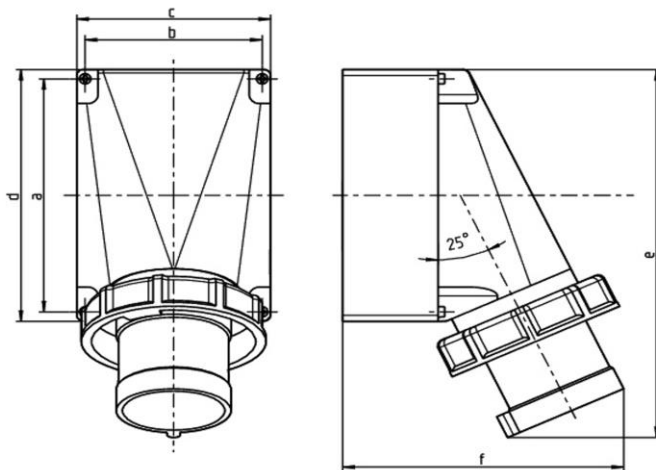
Classification system

| | |
|-----------------------|----------|
| Classification system | ETIM_6.0 |
| ETIM Class | EC001319 |

Technical product data

| | |
|---------------------------------------|-----------------------|
| IEC-amperage | 63 A |
| Amperage acc. UL/CSA (for UL-version) | 60 A |
| Number of poles | 3 |
| Voltage acc. EN 60309-2 | 230 V (50+60 Hz) blue |
| Clock hour position | 6 h |
| Identification colour | Blue |
| RAL-number | 5002 |
| Degree of protection (IP) | IP67 |
| Connection system | Screwed terminal |
| Connection type | Wall mounted plug |
| Angle of plug | Angled |
| Material | Plastic |

Dimension sheet



| Amp. | 63 | | |
|------|-----|-----|-----|
| Pole | 3 | 4 | 5 |
| a | 136 | 120 | 120 |
| b | 104 | 104 | 104 |
| c | 118 | 118 | 118 |
| d | 170 | 170 | 170 |
| e | 250 | 250 | 250 |
| f | 171 | 171 | 171 |
| M | 40 | 40 | 40 |