

**Outside temperature sensors / wet room temperature sensors  
with passive output**

Outside wall resistance thermometer / weather sensor **THERMASGARD® ATF 1** (internal sensor) with passive output, housing made of impact-resistant plastic and quick-locking screws.

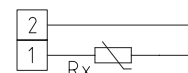
Outside wall resistance thermometer / weather sensor **THERMASGARD® ATF 01** (internal sensor) with passive output, housing made of impact-resistant plastic and snap-on lid.

It is used to measure outside temperatures, temperatures in wet room areas, e.g. as an outdoor sensor, weather sensor for installation on outside walls, in cold storage buildings and greenhouses, in halls, in the industrial sector and in agriculture. Installation in outdoor areas preferably at the north side of a building or in a protected place. In cases of direct solar irradiation, we recommend the use of our **WS01** or **WS04** sun protection hood (accessory).

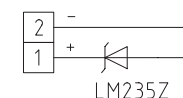
**TECHNICAL DATA**

Measuring range:	-50...+90 °C
Sensors / output:	passive (see table), sensors internal
Connection type:	2-wire connection (4-wire connection on PT100/PT1000A, optional on other sensors)
Testing current:	< 0.6 mA (Pt1000) < 1.0 mA (Pt100) < 0.3 mA (Ni1000, Ni1000 TK5000) < 2.0 mW (NTC xx) 400 µA...5 mA (LM235Z)
Housing:	plastic, UV-resistant, material polyamide, 30% glass-globe reinforced, colour traffic white (similar to RAL 9016), <b>ATF01 with snap-on lid,</b> <b>ATF1 with quick-locking screws</b> (slotted / Phillips head combination)
Housing dimensions:	72 x 64 x 37.8 mm (Tyr 1 / Tyr 01)
Cable connection:	<b>cable gland</b> , plastic (M 16 x 1.5; with strain relief, exchangeable, max. inner diameter 10.4 mm) <b>or</b> <b>M12 connector</b> according to DIN EN 61076-2-101
Electrical connection:	0.14 - 1.5 mm <sup>2</sup> , via terminal screws
Insulating resistance:	≥ 100 MΩ, at +20 °C (500 V DC)
Humidity:	< 95 % RH, non-precipitating air
Protection class:	III (according to EN 60 730)
Protection type:	<b>ATF01 IP 54</b> (according to EN 60 529) Housing tested, TÜV SÜD, Report No. 713160960A (Tyr 01) <b>ATF1 IP 67</b> (according to EN 60 529) Housing tested, TÜV SÜD, Report No. 713139052 (Tyr 1)

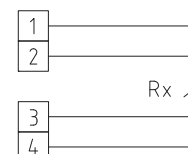
1x two-wire connection  
**standard**



1x two-wire connection  
**LM235Z (KP 10)**



1x four-wire connection  
(optional)



**THERMASGARD® ATF 01** Outside temperature sensors / wet room temperature sensors, *Standard*  
with snap-on lid

Type/WG03	Sensor/Output	Item No.	Price
<b>ATF01</b>		<b>IP 54</b>	
ATF01 Pt100	Pt100 (according to DIN EN 60 751, class B)	1101-1030-1003-000	<b>15,29 €</b>
ATF01 Pt1000	Pt1000 (according to DIN EN 60 751, class B)	1101-1030-5001-000	<b>17,90 €</b>
ATF01 Ni1000	Ni1000 (according to DIN EN 43 760, class B, TCR = 6180 ppm / K)	1101-1030-9001-000	<b>18,70 €</b>
ATF01 NiTK	Ni1000 TK5000 (TCR = 5000 ppm / K), LG-Ni1000	1101-1031-0001-000	<b>21,70 €</b>
ATF01 LM235Z	LM235Z (TCR = 10 mV / K; 2.73 V at 0 °C), KP10	1101-1032-1001-000	<b>15,76 €</b>
ATF01 NTC1,8K	NTC 1.8K	1101-1031-2001-000	<b>14,52 €</b>
ATF01 NTC10K	NTC 10K	1101-1031-5001-000	<b>14,52 €</b>
ATF01 NTC20K	NTC 20K	1101-1031-6001-000	<b>14,52 €</b>
Extra charge:	Other sensors optional Cable connection with <b>M12 connector</b> according to DIN EN 61076-2-101		on request on request
<b>ACCESSORIES</b>			
<b>WS-01</b>	<b>Sun and ball-impact protection hood</b> , 184 x 180 x 80 mm, stainless steel <b>V2A</b> (1.4301)	7100-0040-2000-000	<b>31,77 €</b>
<b>WS-04</b>	<b>Weather and sun protection hood</b> , 130 x 180 x 135 mm, stainless steel <b>V2A</b> (1.4301)	7100-0040-7000-000	<b>37,49 €</b>

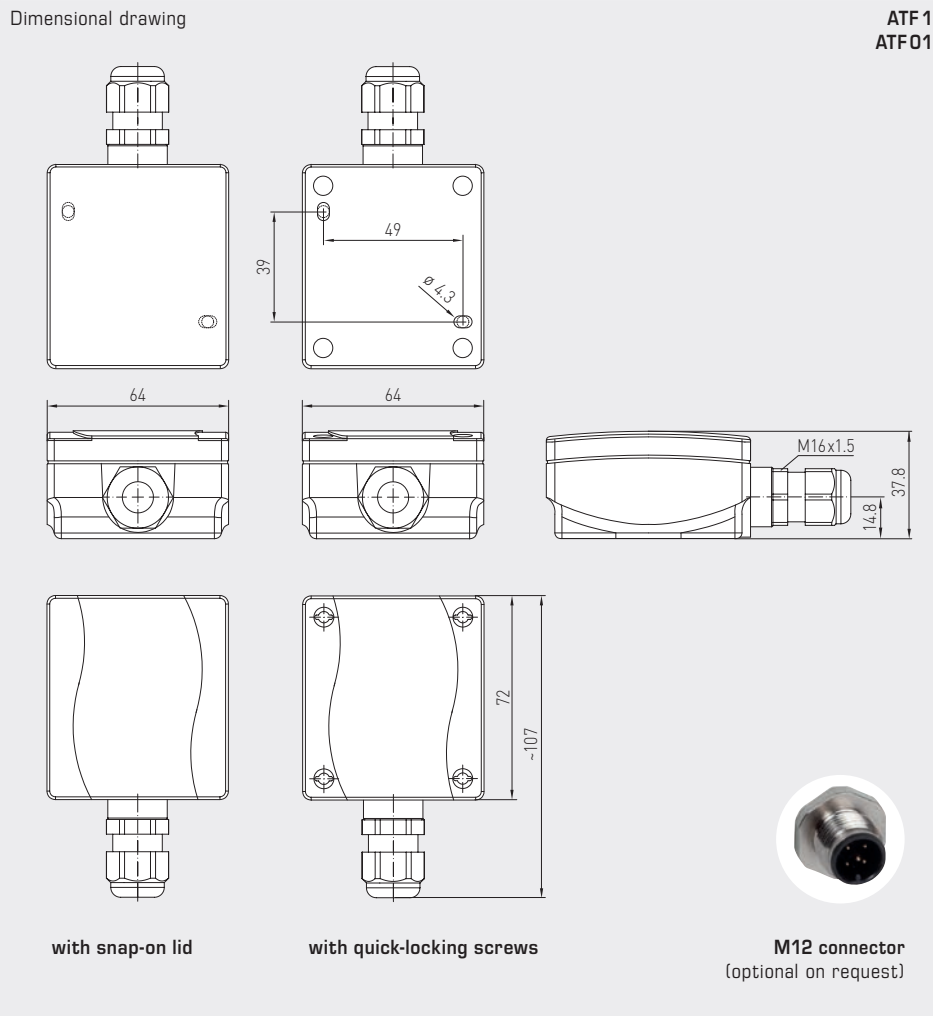
For further information see last chapter!



S+S REGELTECHNIK

THERMASGARD® ATF 1  
THERMASGARD® ATF 01

Outside temperature sensors / wet room temperature sensors  
with passive output



ATF 1  
ATF01

ATF 01  
with snap-on lid  
(IP54)



ATF 1  
with quick-locking screws  
(IP67)



M12 connector  
(optional on request)

THERMASGARD® ATF 1 Outside temperature sensors / wet room temperature sensors, Premium  
with quick-locking screws

Type / WG03	Sensor / Output	Item No.	Price
<b>ATF 1</b>		<b>IP67</b>	
ATF1 Pt100	Pt100 (according to DIN EN 60 751, class B)	1101-1040-1003-000	17,67 €
ATF1 Pt1000	Pt1000 (according to DIN EN 60 751, class B)	1101-1040-5001-000	20,28 €
ATF1 Pt1000A	Pt1000 (according to VDI / VDE 3512, class A-TGA)	1101-1040-6003-000	23,71 €
ATF1 Ni1000	Ni1000 (according to DIN EN 43 760, class B, TCR = 6180 ppm / K)	1101-1040-9001-000	19,80 €
ATF1 NiTK	Ni1000 TK5000 (TCR = 5000 ppm / K), LG - Ni1000	1101-1041-0001-000	24,08 €
ATF1 LM235Z	LM235Z (TCR = 10 mV / K; 2.73 V at 0 °C), KP10	1101-1042-1001-000	18,13 €
ATF1 NTC1,8K	NTC 1.8K	1101-1041-2001-000	16,13 €
ATF1 NTC10K	NTC 10K	1101-1041-5001-000	16,13 €
ATF1 NTC20K	NTC 20K	1101-1041-6001-000	16,13 €
Extra charge::	Other sensors optional Cable connection with <b>M12 connector</b> according to DIN EN 61076-2-101	on request on request	
<b>ACCESSORIES</b>			
<b>WS-01</b>	<b>Sun and ball-impact protection hood</b> , 184 x 180 x 80 mm, stainless steel <b>V2A</b> (1.4301)	7100-0040-2000-000	31,77 €
<b>WS-04</b>	<b>Weather and sun protection hood</b> , 130 x 180 x 135 mm, stainless steel <b>V2A</b> (1.4301)	7100-0040-7000-000	37,49 €

For further information see last chapter!