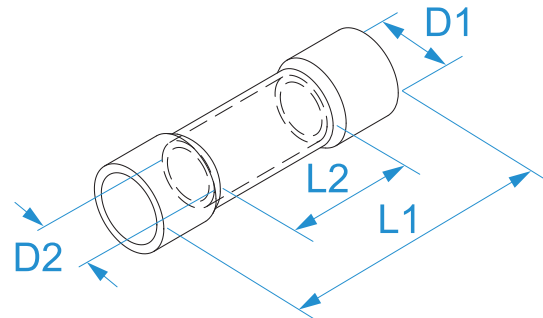


Product family: Terminals - Insulated connectors
Item code: 00162, 00262, 00362
Description: PARALLEL BUTT CONNECTORS - PVC INSULATED

Image






Technical drawing



Specifications

TERMINAL MATERIAL: tinned copper
INSULATION MATERIAL: polyvinylchloride (PVC)
INSULATION UL 94 V2
SELF-EXTINGUISHING GRADE:
OPERATING TEMPERATURE: 75 °C max
MAX RATED VOLTAGE: 300
HOW TO ASSEMBLE: overlap the two conductors

Code	Color	Section (mm ²)	Section (AWG/MCM)	Current (A)	L1 (mm)	L2 (mm)	D1 (mm)	D2 (mm)	
00162	 Red	0.25 ÷ 1.5	(22 - 16)	17	18	8	4,2	1,8	100/1000
00262	 Blue	1.5 ÷ 2.5	(16 - 14)	30	18	8	4,8	2,5	
00362	 Yellow	4 ÷ 6	(12 - 10)	50	21,5	8,5	6,5	3,7	

