



Technical sheet

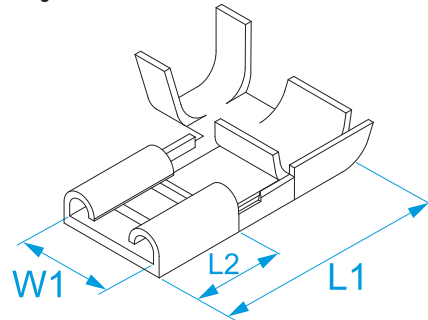
No.	11TD01B
Issue	V02.0

Product family: Terminals - Uninsulated quick-connect terminals
Item code: 01195, 01196, 02195, 02196, 01295, 01296, 02295, 02296
Description: QUICK-CONNECT TERMINALS · UNINSULATED · FEMALE · FLAG TYPE

Image



Technical drawing



Specifications

TERMINAL MATERIAL: tinned/passivated brass
ACCORDING TO STD.: EN 61210: 2010-11
OPERATING TEMPERATURE: da -40 °C a +110 °C

Code	Material	Execution	Section (mm ²)	Section (AWG/MCM)	For male (mm)	For male (°)	W1 (mm)	L1 (mm)	L2 (mm)	
01195	passivated brass	loose	0.5 ÷ 1	(20 - 18)	6.3 x 0.8	0.250x0.032	6,6	15	7,6	200/2000
01196	tinned brass	loose	0.5 ÷ 1	(20 - 18)	6.3 x 0.8	0.250x0.032	6,6	15	7,6	
02195	passivated brass	reel	0.5 ÷ 1	(20 - 18)	6.3 x 0.8	0.250x0.032	6,6	15	7,6	5500/5500
02196	tinned brass	reel	0.5 ÷ 1	(20 - 18)	6.3 x 0.8	0.250x0.032	6,6	15	7,6	
01295	passivated brass	loose	1.5 ÷ 2.5	(16 - 14)	6.3 x 0.8	0.250x0.032	6,6	15	7,6	100/1000
01296	tinned brass	loose	1.5 ÷ 2.5	(16 - 14)	6.3 x 0.8	0.250x0.032	6,6	15	7,6	
02295	passivated brass	reel	1.5 ÷ 2.5	(16 - 14)	6.3 x 0.8	0.250x0.032	6,6	15	7,6	5000/5000
02296	tinned brass	reel	1.5 ÷ 2.5	(16 - 14)	6.3 x 0.8	0.250x0.032	6,6	15	7,6	

