

**BW-M | metric thread**

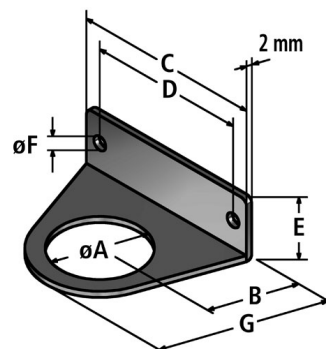
**Accessories**

**Temperature:** -40°C ... +200°C

**Material:** steel, eloc-passivate

**CHARACTERISTICS:**

- Properties: with a through-hole and two fastening bores



Characteristics	Unit	Value	Test
<b>Thermal characteristics</b>			
Temperature range	°C	-40°C ... +200°C	

FLEXA No.	Thread type	Ø A [mm]	B [mm]	G [mm]	C [mm]	D [mm]	E [mm]	Ø F [mm]	Weight [kg/100]	PU [pcs.]
15010031016	M 16 x 1,5	17,0	22,0	38,0	50,0	40,0	20,0	4,5	3,240	25
15010031020	M 20 x 1,5	21,0	22,0	38,0	50,0	40,0	20,0	4,5	3,080	25
15010031025	M 25 x 1,5	26,0	27,0	46,9	60,0	50,0	20,0	4,5	4,120	25
15010031032	M 32 x 1,5	33,0	32,0	56,9	7,0	60,0	20,0	4,5	5,360	25
15010031040	M 40 x 1,5	41,0	37,0	67,0	80,0	70,0	20,0	4,5	6,640	25
15010031050	M 50 x 1,5	51,0	40,0	78,4	90,0	80,0	20,0	4,5	8,120	25
15010031063	M 63 x 1,5	64,0	42,0	83,0	90,0	80,0	20,0	4,5	7,040	25

Recommendations for any areas of applications, products, or product combinations are issued to the best of FLEXA's knowledge and experience. The user is requested to check applicability of FLEXA products to specific applications and purposes prior to the use of the particular products. All documentation, illustrations, and charts published are subject to copyright and must not be copied, changed, used, or modified. Technical drawings, certificates, authorizations, and results by the FLEXA lab will be provided upon request. FLEXA will not be held liable for typographical or other errors and incorrect drawings. Technical modifications are subject to change without prior notice.