

# Technical data sheet

## Plug-in arrester NPE-C50

Item no. 5095609



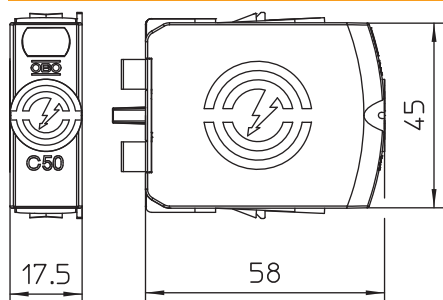
- Upper part NPE, lightning current combination arrester, type 1+2
- For lightning protection equipotential bonding to VDE 0185-305 (IEC 62305)
  - Lightning current discharge capacity up to 50 kA (10/350) in total
  - Modular, plug-in arrester with dynamic cut-off unit and visual status display
  - Locking mechanism with vibration protection and voltage keying
  - Plastic according to UL 94 V-0



Additional product text 1

\* Complete = Plug-in arrester and base

### Dimensions



### Master data

Item no.	5095609
Type	C50-0-255
Description 1	NPE discharge gap
Description 2	plug-in arrester
Dimension	255V
Smallest sales unit (VG)	1,00 Piece
Weight	7,22 kg/100 pc.

# Technical data sheet

## Plug-in arrester NPE-C50

Item no. 5095609



### Technical data



SPD to EN 61643-11	Type 1+2
SPD to IEC 61643-11	Class I+II
SPD to UL 1449	Type 4
Maximum continuous voltage AC	255,00 V
Nominal frequency	50,00 Hz
Nominal discharge current (8/20 µs)	30,00 kA
Nominal discharge current (8/20 µs) [L-N]	30,00 kA
Maximum discharge current (8/20 µs)	50,00 kA
Maximum discharge current (8/20 µs) [L-N]	50,00 kA
Lightning surge current (10/350 µs)	50,00 kA
Lightning surge current (10/350 µs) [N/PE]	50,00 kA
Protection level	1,50 kV
Protection level [N-PE]	1,50 kV
Follow current quenching capacity (eff) [N-PE]	0,10 kA
Response time	25 ns
Response time [N-PE]	100 ns
Short-circuit withstand for max. mains-side overcurrent protection	25 kA
TOV voltage [N-PE] – withstand mode – 200 ms	1.200,00 V
Operating temperature range	-40+80 °C
Humidity	5,00 - 95,00 %
Function/defect display	Optical
Ports	One-Port SPD
Pole version	N/PE
Pole number	1,00
Connection cross-section (min.)	1,50 mm <sup>2</sup>
Connection cross-section (max.)	35,00 mm <sup>2</sup>
Connection cross-section (min.)	16,00 AWG
Connection cross-section (max.)	2,00 AWG
Torque	4,00 Nm
Torque	35,00 Lbs
Mounting type	Hat rail 35 mm
Housing material	PA UL 94 V-0
Installation location	Interior
Protection rating	IP20
Minimum distance	1,50 mm
Approvals	UL
Protective conductor current	< 5 µA
Blow-out	<input type="checkbox"/>
Size	1 part unit
Remote signalling	<input type="checkbox"/>
Integrated back-up fuse	<input type="checkbox"/>
Max. cable cross-section flexible (fine-wire)	35,00 mm <sup>2</sup>
Max. cable cross-section rigid (single wire/multi-wire)	35,00 mm <sup>2</sup>
Conductor cross-section, flexible (fine-wire)	1,50 - 35,00 mm <sup>2</sup>

# Technical data sheet

## Plug-in arrester NPE-C50

Item no. 5095609



### Technical data

Conductor cross-section, flexible (fine-wire)	16,00 - 2,00 AWG
Conductor cross-section, rigid (single wire/multi-wire)	16,00 - 2,00 AWG
Conductor cross-section, rigid (single wire/multi-wire)	1,50 - 35,00 mm <sup>2</sup>
Signalling on device	Visual