



Aluminium housing, Surface: Powder-varnish coating, Colour: Silver-grey, RAL: 7001

**RAL:** 7001

### Business data

Article number	<u>4003.0</u>
Article name	CA 75/57
GTIN (EAN)	4044211061364
Packaging unit	1
Quantity unit	PC
Weight per piece (not including packaging)	301.1 g
Weight per piece (including packaging)	321.9 g
Unit of weight	G
Customs number	85369095
Country of origin	DE
Product description	Aluminium housing
Colour	Silver-grey

### Technical data

#### Dimensions

Length	75 mm
Width	80 mm
Height	57 mm

#### Materials

Material	Aluminium alloy
Lid screws	Stainless steel
Surface	Powder-varnish coating
Working temperature, min.	-40 °C
Working temperature, max.	90 °C
Sealing material	Polyurethane
Cadmium-free	✓
Halogen-free	✓

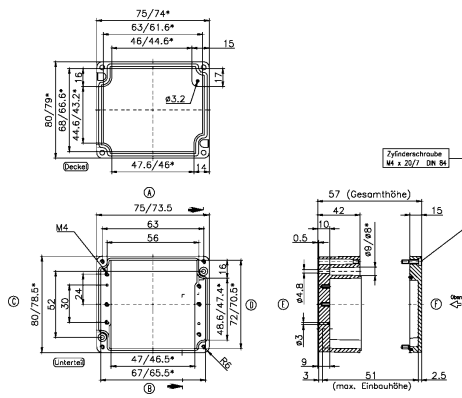
#### Further technical data

Degree of protection	IP66
Impact resistance	IK08
Lower part with earthing screws	✓
Can be lead-sealed	✓

#### Environmental Product Compliance

REACH Conform	yes
REACH Reference date	2023-06-14
REACH Candidate Substance Note	No
RoHS Conform	yes

### Media



### Accessories

#### Mounting screw



Mounting screw, M 4, Colour: natural

Article number	Article name	GTIN (EAN)	Packaging unit
<u>4557.0</u>	BS M 4x5	4044211065072	100 ST

#### Mounting plate



Mounting plate, Material: Steel, Surface: Galvanized, Colour: natural

Article number	Article name	GTIN (EAN)	Packaging unit
<u>4500.7</u>	MP/A 75	4044211063399	1 ST

#### DIN rail section TS 15/5.5



DIN rail, slotted, Width: 15 mm, Height: 5.5 mm, Material: Steel, Colour: natural

Article number	Article name	GTIN (EAN)	Packaging unit
<u>4510.7</u>	TS 15/61 mm lang	4044211064082	1 ST

#### Wall brackets



Wall brackets, Material: Steel, Surface: Galvanized, Colour: natural

Article number	Article name	GTIN (EAN)	Packaging unit
<u>4509.3</u>	WL/CP/CA kurz	4044211063948	1 ST