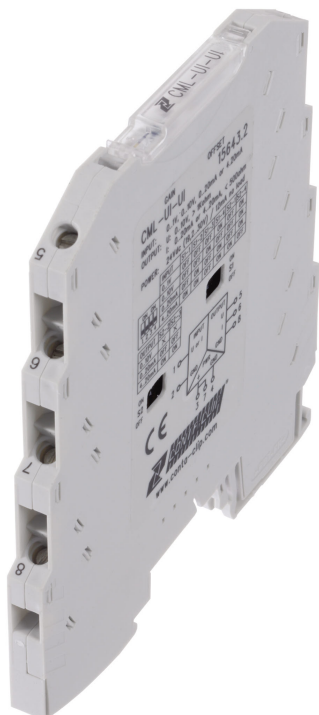


# Data sheet

## 15643.2 CML-UI-UI



Signal converter for converting voltage/current signals to an analogue standard signal, Screw connection, Mounting type: Mounting rail TS 35, Supply voltage: 24 VDC

**RAL:** 9018

### Business data

Article number	<u>15643.2</u>
Article name	CML-UI-UI
GTIN (EAN)	4044211207373
Packaging unit	1
Quantity unit	PC
Weight per piece (not including packaging)	52.7 g
Weight per piece (including packaging)	60.1 g
Unit of weight	G
Customs number	85423990
Country of origin	NL
Product description	Converter unit
Colour	Light grey

### Technical data

#### Dimensions

Length	93.1 mm
Width	6.2 mm
Height	102.5 mm

#### Ratings

Overvoltage category	III
Contamination degree	2

#### Connection data

Connection principle	Screw connection
Wire cross-section single core (rigid), min.	0.2 mm <sup>2</sup>
Wire cross-section single-core (rigid), max.	2.5 mm <sup>2</sup>
Wire cross-section stranded, min.	0.2 mm <sup>2</sup>
Wire cross-section stranded, max.	2.5 mm <sup>2</sup>
Wire cross-section stranded with wire-end ferrules, min.	0.2 mm <sup>2</sup>
Wire cross-section stranded with wire-end ferrules, max.	2.5 mm <sup>2</sup>
Stripping length	8 mm
Torque	0.6 Nm

#### Input data

Input signal U/I, max.	30 VDC / 50 mA
Input resistance U/I	>100K / 50 Ohm
Input signals adjustable via DIP switch	1
SPAN setting range	2%
OFFSET setting range	2%

#### Output data

Output signal adjustable via DIP switch	✓
Load resistance U	>1K Ohm
Load resistance I	<500 Ohm
Offset I	20 µA
Offset U	<10 mV
Output signal I, max.	22 mA
Output signal U, max.	11 V

# Data sheet

## 15643.2 CML-UI-UI

---

### Technical data

---

#### Materials

Working temperature, min.	-20 °C
Working temperature, max.	55 °C
Temperature coefficient	<0,20% / K °C

#### Further technical data

Power supply	24 V -15% / +10% -
Current consumption	40 mA
Transmission error (from end value)	<0,2%
Limit frequency (-3 dB)	10 Hz
Protection class	IP20

#### Environmental Product Compliance

REACH Conform	yes
REACH Reference date	2023-06-14
REACH Candidate Substance Note	No
RoHS Conform	yes

---

### Approvals

---

#### Standards and regulations

---

CE compliant

yes

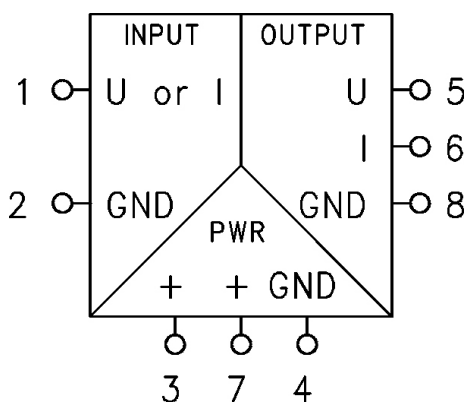
---

Standards / specifications

DIN VDE 0110 / EN 50178

---

### Media

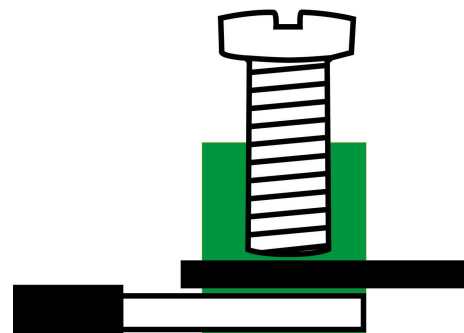


#### DIPSWITCH SELECTION

INPUT	S1.1	S1.2	S1.3	S1.4	S2.1	S2.4
0..1V	OFF	OFF	OFF	ON	OFF	ON
0..10V	OFF	OFF	ON	OFF	OFF	ON
0..20mA	OFF	ON	OFF	ON	OFF	ON
4..20mA	ON	ON	OFF	ON	ON	OFF

OUTPUT	S2.2	S2.3
0..10V	X	X
0..20mA	OFF	OFF
4..20mA	ON	ON

X = Don't Care



---

### Accessories

---