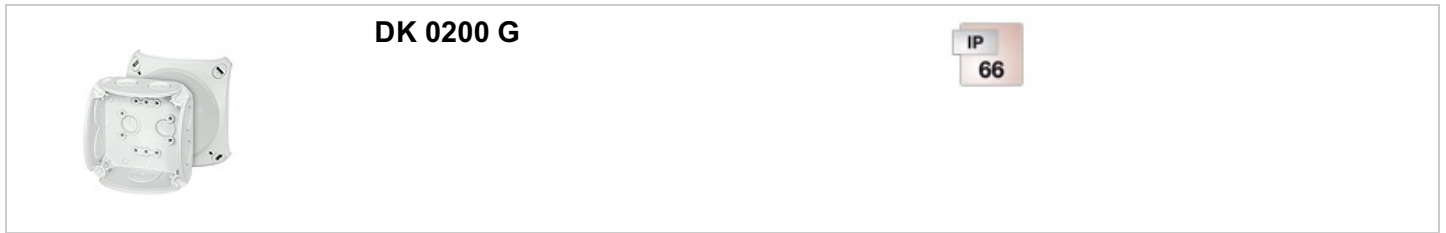


With or without terminals

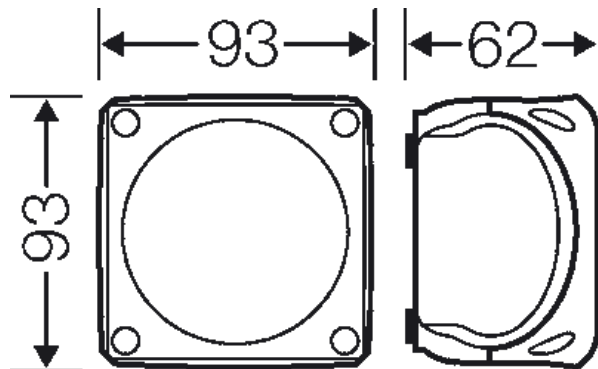


- without terminals
- with integrated elastic membranes, which can be removed for cable entry via cable glands, sealing range 6.0-15.0 mm
- with one cable entry in the bottom, sealing range Ø 6.0-13.0 mm
- lid fasteners sealable without accessories
- retaining strap and external brackets for wall fixing included
- colour: grey, RAL 7035
- To close opened membranes use grommets type EDK. Degree of protection = IP 66.

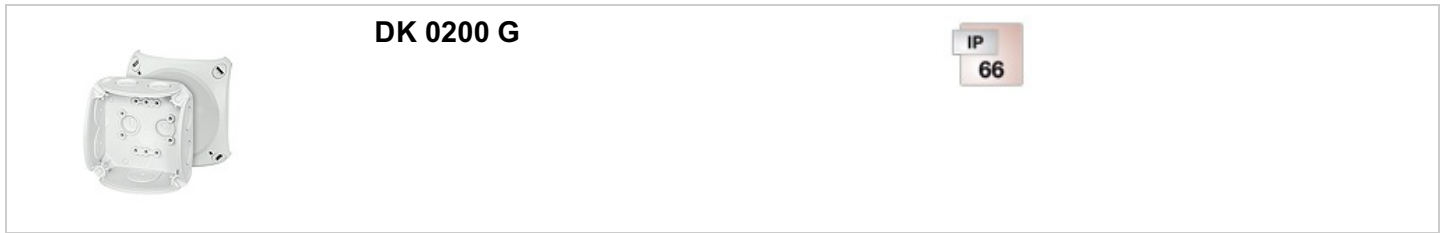
| | |
|--------------------------|-----------------------------------|
| rated insulation voltage | U _i = 1000 V a.c./d.c. |
| material | PP (polypropylene) |
| degree of protection: | IP 66 |
| mounting width | 74 mm |
| mounting height | 74 mm |
| max. installation depth | 47 mm |
| width | 93 mm |
| height | 93 mm |
| depth | 62 mm |
| weight | 0,099 kg |
| in accordance with | IEC 60670-22 |

Drawings

Dimension drawing



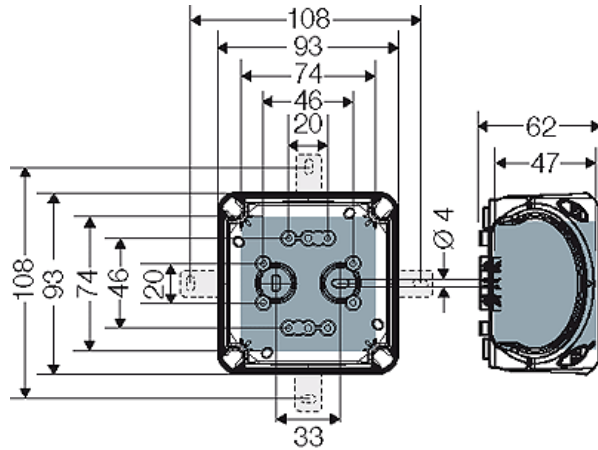
With or without terminals



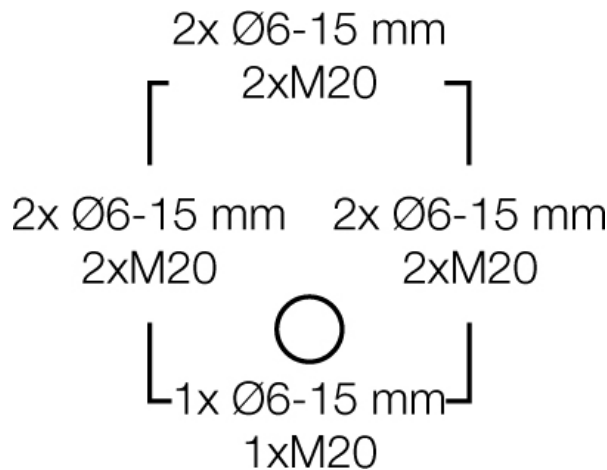
DK 0200 G

IP
66

Detail mass



Box walls



Operating and ambient conditions

| | |
|---|--|
| Application area | Suitable for indoor installation and outdoor installation, protected against weather influences |
| Ambient temperature | Maximum value + 40 °C Minimum value - 25 °C |
| Fire protection in the event of internal faults | Demands placed on electrical devices from standards and laws Minimum requirements - Glow wire test in accordance with IEC 60695-2-11: - 650°C for boxes and cable glands - 850°C for parts of insulating material necessary to retain current carrying parts in position |
| Burning behaviour | Glow wire test IEC 60695-2-11: 750 °C UL Subject 94: V-2 flame-retardant self-extinguishing |
| Degree of protection against mechanical load | IK07 (2 Joule) |
| Toxic behaviour | halogen-free silicone-free "halogen-free" in accordance with the examination of the cables and insulated wires - corrosiveness of fumes - as per IEC 60754-2 |
| Note: | For material properties see technical data. |

With or without terminals

| | | |
|--|------------------|---|
|  A white, rectangular electrical component, likely a terminal block or connector, shown from a perspective view. It has a flat top surface with several circular openings and a slightly raised edge. | DK 0200 G |  An icon indicating an IP 66 protection rating, consisting of the letters 'IP' in a small box above the number '66' in a larger box. |
|--|------------------|---|