

**With or without terminals**



**DK 0404 G**

- 1.5-4 mm<sup>2</sup>, Cu 3~

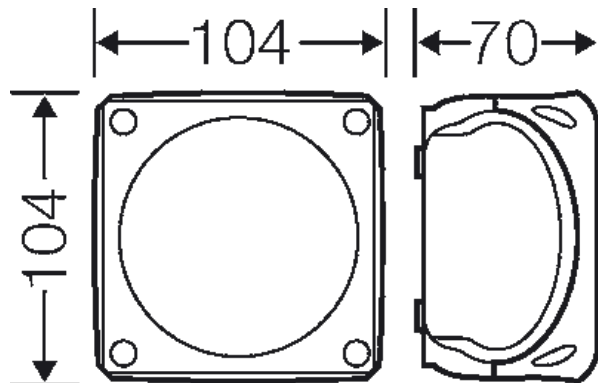
IP  
66

- terminal with 2 clamping units per pole
- 5-pole per pole 8 x 1,5 mm<sup>2</sup> sol / f, 6 x 2,5 mm<sup>2</sup> sol / f, 4 x 4 mm<sup>2</sup> sol / f, 2 x 6 mm<sup>2</sup> sol / f
- with elastic membranes, which can be removed for cable entry via cable glands, sealing range 9.0-17.0 mm
- with one cable entry in the bottom, sealing range Ø 6.0-15.0 mm
- lid fasteners sealable without accessories
- retaining strap and external brackets for wall fixing included
- colour: grey, RAL 7035
- To close opened membranes use grommets type EDK. Degree of protection = IP 66.

rated insulation voltage	U <sub>i</sub> = 690 V a.c./d.c.
rated current:	32 A
material	PP (polypropylene)
degree of protection:	IP 66
width	104 mm
height	104 mm
depth	70 mm
weight	0,158 kg
tightening torque for terminal in accordance with	0.7 Nm IEC 60670-22

**Drawings**

Dimension drawing



With or without terminals

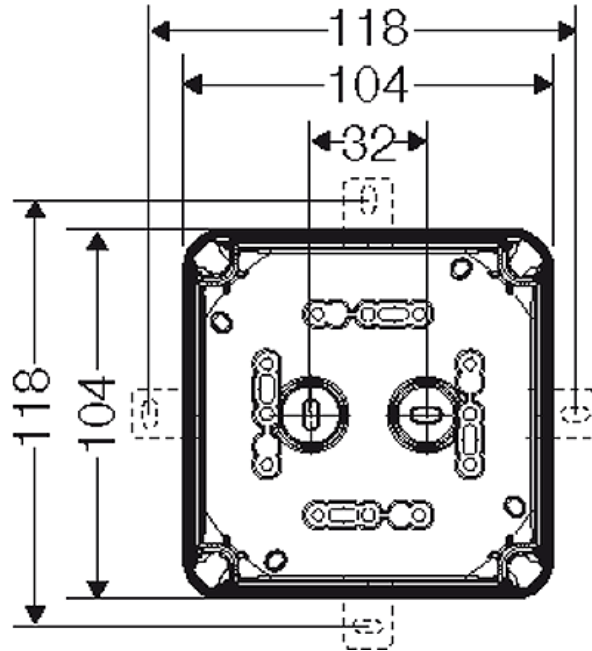


**DK 0404 G**

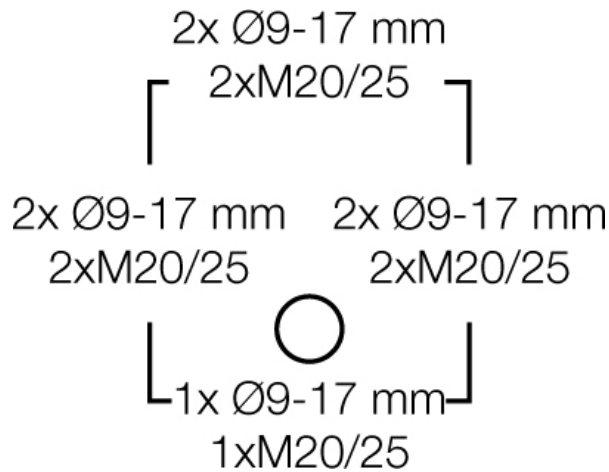
- 1.5-4 mm<sup>2</sup>, Cu 3~

IP  
66

Detail mass



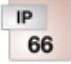
Box walls



**Operating and ambient conditions**

Application area	Suitable for indoor installation and outdoor installation, protected against weather influences
Ambient temperature	Average value over 24 hours + 35 °C Maximum value + 40 °C Minimum value - 25 °C
Relative humidity	50% at 40° C short-time 100% at 25° C
Fire protection in the event of internal faults	Demands placed on electrical devices from standards and laws Minimum requirements - Glow wire test in accordance with IEC 60695-2-11: - 650°C for boxes and cable glands - 850°C for parts of insulating material necessary to retain current carrying parts in position

With or without terminals

	<p><b>DK 0404 G</b></p> <ul style="list-style-type: none"> <li>• 1.5-4 mm<sup>2</sup>, Cu 3~</li> </ul>	
---	---	---

<p>Burning behaviour</p>	<p>Glow wire test IEC 60695-2-11: 750 °C          UL Subject 94: V-2          flame-retardant          self-extinguishing</p>
<p>Degree of protection against mechanical load</p>	<p>IK07 (2 Joule)</p>
<p>Toxic behaviour</p>	<p>halogen-free          silicone-free          "halogen-free" in accordance with the examination of the cables and insulated wires - corrosiveness of fumes - as per IEC 60754-2</p>
<p>Note:</p>	<p>For material properties see technical data.</p>