



ENYA series

Energy saving function

Low switching noise

High switching capacity, 80A peak inrush current

Automatic 3/4 - wire detection

Push-button glow lamp load up to 100mA

Width 17.5mm

Installation design



Technical data

1. Functions

Impulse switch mode with off delay.

The control input allows the connection of pushbuttons with a glow lamp load up to 100mA and enables the application in 3- or 4-wire circuits.

The unit can be switch-on and off via the connected pushbuttons.

2. Time ranges

Adjustment range

Time 6 to 60min

3. Indicators

Green LED U ON: indication of supply voltage

Yellow LED ON/OFF: indication of relay output

4. Mechanical design

Self extinguishing plastic housing, IP rating IP 40

Mounted on Din-rail TS 35 according to EN 60715

Mounting position: any

Shockproof terminal connection according to VBG 4 (PZ1 required),

IP rating IP20

Tightening torque: max. 1Nm

Terminals capacity:

1 x 0.5 to 2.5mm² with/without multicore cable end

1 x 4mm² without multicore cable end

2 x 0.5 to 1.5mm² with/without multicore cable end

2 x 2.5mm² flexible without multicore cable end

5. Input circuit

Supply voltage: Terminals L - N

Rated voltage: see table ordering information or printing on the unit

Tolerance: -15% to +10%

Rated consumption: 2VA (1,0W)

Rated frequency: AC 48 to 63Hz

Duty cycle: 100%

Reset time: 500ms

Hold-up time: -

Residual ripple for DC: -

Drop-out voltage: >30%

Overvoltage category: III (in accordance with IEC 60664-1)

Rated surge voltage: 4kV

6. Output

1 normally open contact terminals L - 18

Rated voltage: 250V AC

Switching capacity: 10A continuous current

If the distance between the devices is less than 5mm!

Switching capacity: 16A continuous current

If the distance between the devices is greater than 5mm!

Start-up peak (20ms): 80A

Mechanical life: 30 x 10⁶ operations

Electrical life:

Resistive load: 10⁵ operations at 16A 250V

Lamp load: 80.000 operations at 1000W 250V

7. Control input B1

Connection not potential free: pushbuttons B1-N (3-conductor circuit)
pushbuttons B1-L (4-conductor circuit)

Glow lamp load: max. 100mA parallel

to the pushbuttons

Overload protection: yes, electronic

8. Accuracy

Base accuracy: ±5% of maximum scale value

Adjustment accuracy: <15% of maximum scale value

Repetition accuracy: <2%

Voltage influence: -

Temperature influence: ≤1%

9. Ambient conditions

Ambient temperature: -25 to +55°C

Storage temperature: -25 to +70°C

Transport temperature: -25 to +70°C

Relative humidity: 15% to 85%
(in accordance with IEC 60721-3-3 class 3K3)

Pollution degree: 2, if built in 3
(in accordance with IEC 60664-1)

11. Weight

Single packing: 57g

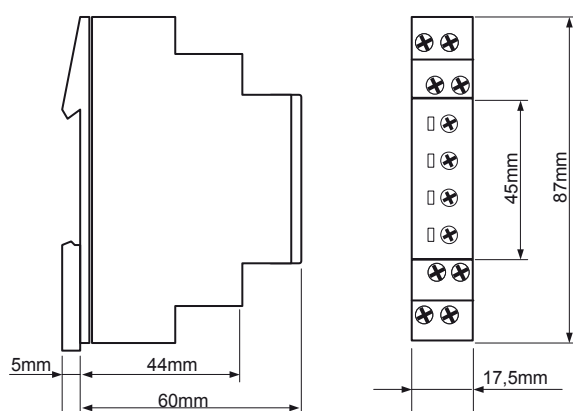
Functions

Impulse switch mode with off delay:

In this mode, every keypress toggles the output relay R (flip-flop). After the pushbutton at B1 has been pressed, the output relay R closes (terminals L-18 / yellow LED illuminated) and the set interval t begins. After the interval t has expired the output relay R switches into off-position (yellow LED not illuminated). If the pushbutton is pressed again before the interval t has expired, the interval t will be canceled and the output relay R switches into off-position (yellow LED not illuminated).

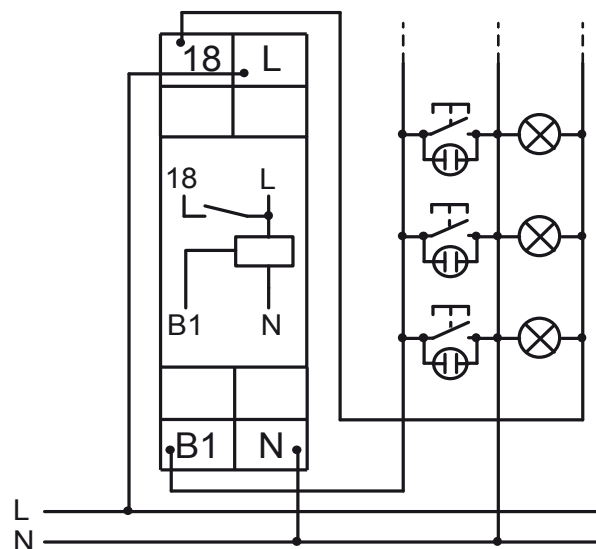


Dimensions

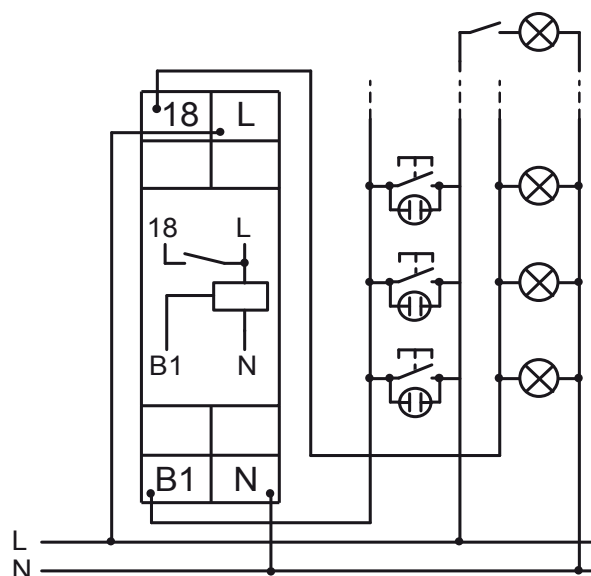


Connections

3-wire-circuit



4-wire-circuit with attic illumination



Ordering Informations

Types	Time ranges	Supply Voltage	Part. No.
E1ZWI 60min 230V AC	6 to 60min	230V AC	110310

RELEASE 2009/07

Subject to alterations and errors