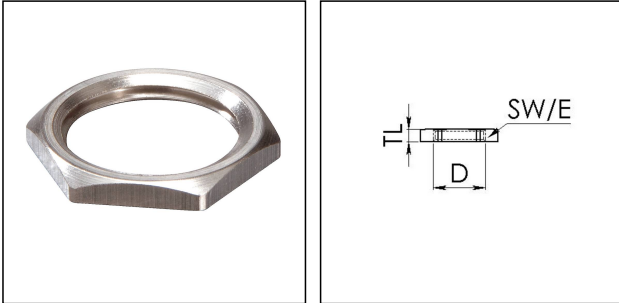


EMMU 12

Locknut, brass nickel-plated, M12



Products may differ in size, colour and appearance to those shown. If you require further information or customisation, please contact us directly.



Material	Brass nickel-plated
Surface	Nickel-plated
Temp. range min	-200 °C
Temp. range max	250 °C
Thread type	M
Ø Connection thread D	12
Lead	1,5
Key width SW	15 mm
Collar diameter (E)	17 mm
Total length TL	2,8 mm
Order no. nickel-plated	10063141
Type	EMMU 12
Packing unit	100
EAN number	4007685631419
Tariff number	74153300
ETIM-Classification	EC000940

04.12.2023

Your Contact:

WISKA Hoppmann GmbH

Kisdorfer Weg 28 · 24568 Kaltenkirchen · Germany

☎ +49-4191-508-0 · 📠 +49-4191-508-209

contact@wiska.de · www.wiska.com



Your Contact:

WISKA Hoppmann GmbH

Kisdorfer Weg 28 · 24568 Kaltenkirchen · Germany

☎ +49-4191-508-0 · 📠 +49-4191-508-209

contact@wiska.de · www.wiska.com