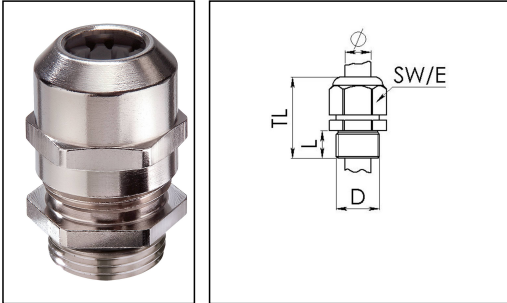


## EMSKV 32

Cable gland, brass nickel-plated, M32, with short thread



Products may differ in size, colour and appearance to those shown. If you require further information or customisation, please contact us directly.



<b>Material cable gland</b>	Brass nickel-plated
<b>Material clamping cage</b>	Polyamide
<b>Material sealing gasket</b>	EPDM
<b>Temp. range min</b>	-40 °C
<b>Temp. range max</b>	100 °C
<b>Protection class</b>	IP69, IP68 (5 bar 30 min)
<b>Thread type</b>	M
<b>Ø Connection thread D</b>	32
<b>Lead</b>	1,5
<b>Length screw-in thread L</b>	8 mm
<b>Ø cable diameter min</b>	13 mm
<b>Ø cable diameter max</b>	21 mm
<b>Key width SW</b>	36 mm
<b>Collar diameter (E)</b>	40 mm
<b>Total length TL</b>	36 mm - 44 mm
<b>Type of cable anchorage</b>	A
<b>Install. torques fitting</b>	20 N m
<b>Install. torques cap nut</b>	20 N m
<b>Impact category</b>	6
<b>Surface</b>	Nickel-plated
<b>Order no. nickel-plated</b>	10065004
<b>Packing unit</b>	25
<b>Type</b>	EMSKV 32
<b>Tariff number</b>	74198090
<b>EAN number</b>	4007685650045

Your Contact:

WISKA Hoppmann GmbH  
Kisdorfer Weg 28 · 24568 Kaltenkirchen · Germany  
☎ +49-4191-508-0 · 📠 +49-4191-508-209  
contact@wiska.de · www.wiska.com

ETIM-Classification

EC000441

## Recommended accessories

<b>RDE 32</b>	10062186
<b>EMMU 32</b>	10063145
<b>BS 21</b>	10064014
<b>MFD 32/04/070</b>	10064344
<b>MFD 32/06/060</b>	10064345
<b>MFD 32/04/080</b>	10064950
<b>MFD 32/03/080</b>	10101018
<b>MFD 32/05/070</b>	10101140
<b>MFD 32/01/115-01/085</b>	10101256
<b>MFD 32/03/065</b>	10102169
<b>MFD 32/03/090</b>	10102170

05.12.2023

Your Contact:

**WISKA Hoppmann GmbH**

Kisdorfer Weg 28 · 24568 Kaltenkirchen · Germany

☎ +49-4191-508-0 · 📠 +49-4191-508-209

contact@wiska.de · www.wiska.com



Your Contact:

**WISKA Hoppmann GmbH**

Kisdorfer Weg 28 · 24568 Kaltenkirchen · Germany

☎ +49-4191-508-0 · 📠 +49-4191-508-209

contact@wiska.de · www.wiska.com