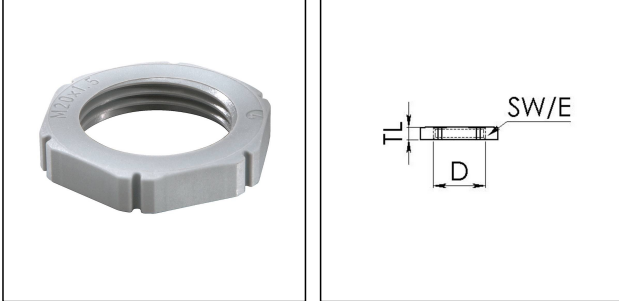


EMUG 25 SG

Locknut, polyamide, RAL 7001, M25



Products may differ in size, colour and appearance to those shown. If you require further information or customisation, please contact us directly.



Material	Polyamide, fibre reinforced
Temp. range min	-40 °C
Temp. range max	100 °C
Glow wire test	650 °C
Thread type	M
Ø Connection thread D	25
Lead	1,5
Total length TL	6 mm
Key width SW	32 mm
Collar diameter (E)	36 mm
Product Color	RAL 7001
Order no. RAL 7001	10062715
Type	EMUG 25 SG
Packing unit	100
EAN number	4007685627153
Tariff number	39269097
ETIM-Classification	EC000940

05.12.2023

Your Contact:

WISKA Hoppmann GmbH

Kisdorfer Weg 28 · 24568 Kaltenkirchen · Germany

☎ +49-4191-508-0 · 📠 +49-4191-508-209

contact@wiska.de · www.wiska.com



Your Contact:

WISKA Hoppmann GmbH

Kisdorfer Weg 28 · 24568 Kaltenkirchen · Germany

☎ +49-4191-508-0 · 📠 +49-4191-508-209

contact@wiska.de · www.wiska.com