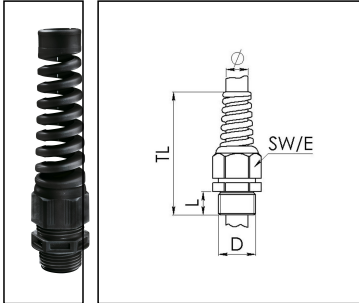


ESKVS 16 BK

Cable gland with bend protection, polyamide, M16, RAL 9005



Products may differ in size, colour and appearance to those shown. If you require further information or customisation, please contact us directly.



| | |
|--------------------------------------|---------------------------|
| Material cable gland | Polyamide |
| Material sealing gasket | EPDM |
| Protection class | IP69, IP68 (5 bar 30 min) |
| Temp. range min | -40 °C |
| Temp. range max | 100 °C |
| Glow wire test | 750 °C |
| Thread type | M |
| Ø Connection thread D | 16 |
| Lead | 1,5 |
| Length screw-in thread L | 9 mm |
| Ø cable diameter min | 4,5 mm |
| Ø cable diameter max | 10 mm |
| Key width SW | 20 mm |
| Collar diameter (E) | 22 mm |
| Total length TL | 82 mm - 88 mm |
| Type of cable anchorage | A |
| Install. torques fitting | 3,5 N m |
| Install. torques fitting/EADR | 2 N m |
| Install. torques cap nut | 1,5 N m |
| Impact category | 3 |
| Product Color | RAL 9005 |
| Type | ESKVS 16 BK |
| Order no. RAL 9005 | 10061277 |
| Packing unit | 50 |
| EAN number | 4007686285215 |

Your Contact:

WISKA Hoppmann GmbH

Kisdorfer Weg 28 · 24568 Kaltenkirchen · Germany

☎ +49-4191-508-0 · 📠 +49-4191-508-209

contact@wiska.de · www.wiska.com

| | |
|----------------------------|----------|
| Tariff number | 39269097 |
| ETIM-Classification | EC000441 |

Recommended accessories

| | |
|----------------------|----------|
| EMUG 16 BK | 10061781 |
| RDE 16 | 10062184 |
| EADR 16 | 10062802 |
| BS 10 | 10064008 |
| MFD 16/02/040 | 10064393 |
| MFD 16/03/021 | 10101014 |

06.12.2023

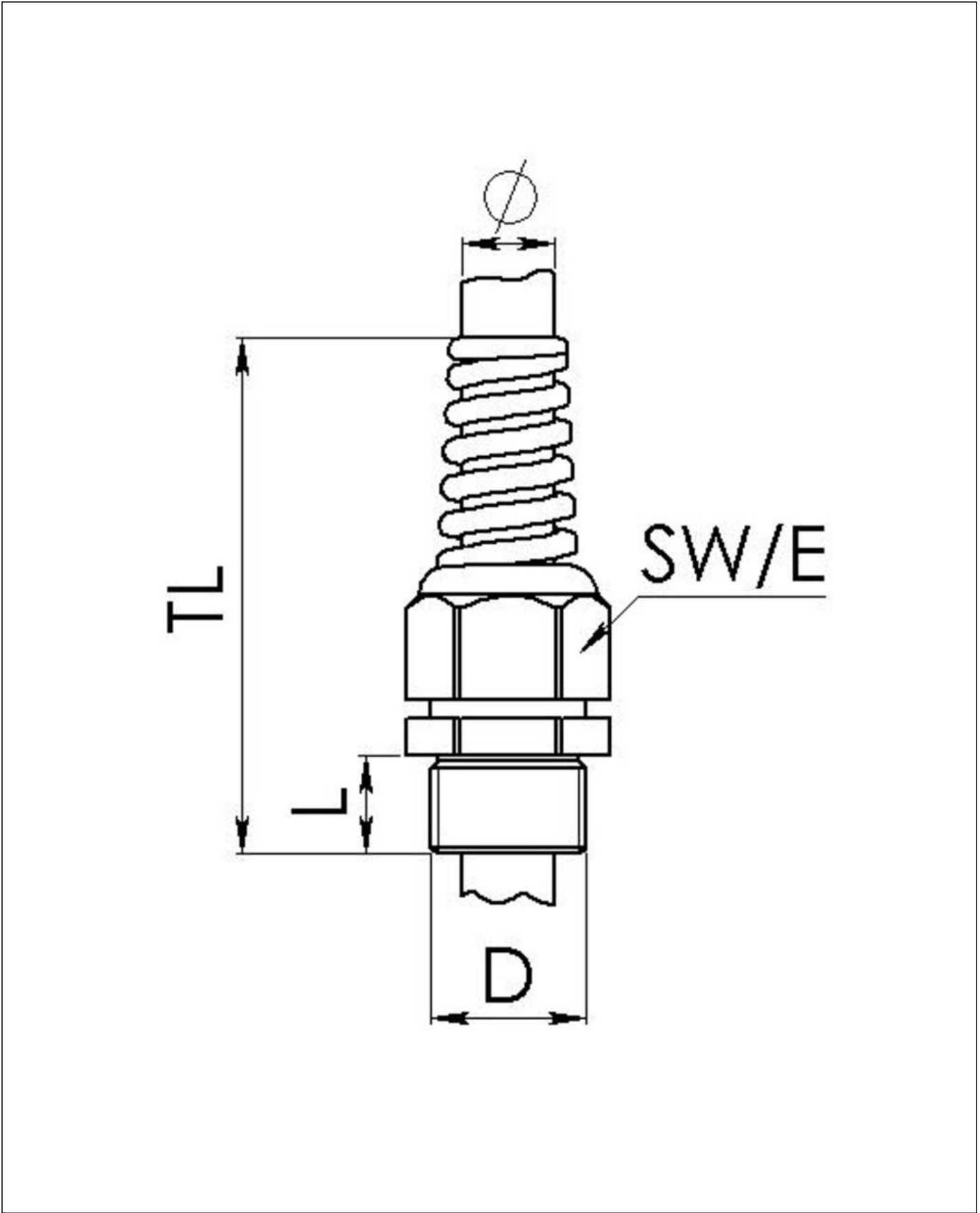
Your Contact:

WISKA Hoppmann GmbH

Kisdorfer Weg 28 · 24568 Kaltenkirchen · Germany

☎ +49-4191-508-0 · 📠 +49-4191-508-209

contact@wiska.de · www.wiska.com



Your Contact:
WISKA Hoppmann GmbH
Kisdorfer Weg 28 · 24568 Kaltenkirchen · Germany
☎ +49-4191-508-0 · 📠 +49-4191-508-209
contact@wiska.de · www.wiska.com