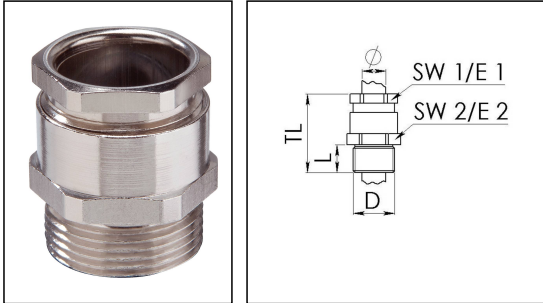


ESMKV-L 20

Cable gland hexagonal, brass nickel-plated, M20, with long thread



Products may differ in size, colour and appearance to those shown. If you require further information or customisation, please contact us directly.



Material cable gland	Brass nickel-plated
Material sealing gasket	Soft rubber
Temp. range min	-30 °C
Temp. range max	80 °C
Protection class	IP54
Thread type	M
Ø Connection thread D	20
Lead	1,5
Length screw-in thread L	10 mm
Ø cable diameter min	3 mm
Ø cable diameter max	14 mm
Key width SW1	20 mm
Key width SW2	22 mm
Collar diameter E1	22 mm
Collar diameter E2	24 mm
Total length TL	30 mm
Impact category	6
Surface	Nickel-plated
Order no. nickel-plated	10062882
Packing unit	50
Type	ESMSKV-L 20
Tariff number	74198090
EAN number	4007685628822
ETIM-Classification	EC000441

Your Contact:

WISKA Hoppmann GmbH

Kisdorfer Weg 28 · 24568 Kaltenkirchen · Germany

☎ +49-4191-508-0 · 📠 +49-4191-508-209

contact@wiska.de · www.wiska.com

Recommended accessories

EMMU 20	10063143
ORD-E 20 + PG11	10064699

06.12.2023

Your Contact:

WISKA Hoppmann GmbH

Kisdorfer Weg 28 · 24568 Kaltenkirchen · Germany

☎ +49-4191-508-0 · 📠 +49-4191-508-209

contact@wiska.de · www.wiska.com

