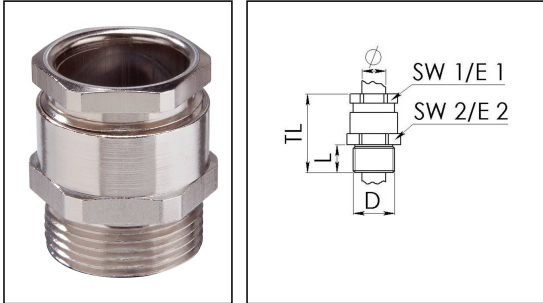


ESMKV-L 32

Cable gland hexagonal, brass nickel-plated, M32, with long thread



Products may differ in size, colour and appearance to those shown. If you require further information or customisation, please contact us directly.



Material cable gland	Brass nickel-plated
Material sealing gasket	Soft rubber
Temp. range min	-30 °C
Temp. range max	80 °C
Protection class	IP54
Thread type	M
Ø Connection thread D	32
Lead	1,5
Length screw-in thread L	13 mm
Ø cable diameter min	15 mm
Ø cable diameter max	26 mm
Key width SW1	32 mm
Key width SW2	34 mm
Collar diameter E1	35 mm
Collar diameter E2	38 mm
Total length TL	37 mm
Impact category	6
Surface	Nickel-plated
Order no. nickel-plated	10062884
Packing unit	25
Type	ESMKV-L 32
Tariff number	74198090
EAN number	4007685628846
ETIM-Classification	EC000441

Your Contact:

WISKA Hoppmann GmbH

Kisdorfer Weg 28 · 24568 Kaltenkirchen · Germany

☎ +49-4191-508-0 · 📠 +49-4191-508-209

contact@wiska.de · www.wiska.com

Recommended accessories

EMMU 32	10063145
ORD-E 32	10064701

06.12.2023

Your Contact:

WISKA Hoppmann GmbH

Kisdorfer Weg 28 · 24568 Kaltenkirchen · Germany

☎ +49-4191-508-0 · 📠 +49-4191-508-209

contact@wiska.de · www.wiska.com

