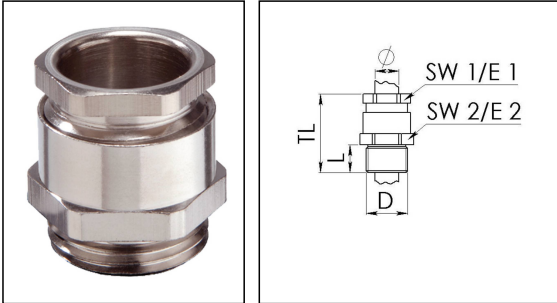


ESMKV 25

Cable gland hexagonal, brass nickel-plated, M25, with short thread



Products may differ in size, colour and appearance to those shown. If you require further information or customisation, please contact us directly.



| | |
|---------------------------------|---------------------|
| Material cable gland | Brass nickel-plated |
| Material sealing gasket | Soft rubber |
| Temp. range min | -30 °C |
| Temp. range max | 80 °C |
| Protection class | IP54 |
| Thread type | M |
| Ø Connection thread D | 25 |
| Lead | 1,5 |
| Length screw-in thread L | 7 mm |
| Ø cable diameter min | 7,5 mm |
| Ø cable diameter max | 18,5 mm |
| Key width SW1 | 25 mm |
| Key width SW2 | 27 mm |
| Collar diameter E1 | 28 mm |
| Collar diameter E2 | 30 mm |
| Total length TL | 29 mm |
| Impact category | 6 |
| Surface | Nickel-plated |
| Order no. nickel-plated | 10062873 |
| Packing unit | 50 |
| Type | ESМКV 25 |
| Tariff number | 74198090 |
| EAN number | 4007685628730 |
| ETIM-Classification | EC000441 |

Your Contact:

WISKA Hoppmann GmbH

Kisdorfer Weg 28 · 24568 Kaltenkirchen · Germany

☎ +49-4191-508-0 · 📠 +49-4191-508-209

contact@wiska.de · www.wiska.com

Recommended accessories

| | |
|-----------------|----------|
| EMMU 25 | 10063144 |
| ORD-E 25 | 10064700 |

06.12.2023

Your Contact:
WISKA Hoppmann GmbH
Kisdorfer Weg 28 · 24568 Kaltenkirchen · Germany
 +49-4191-508-0 ·  +49-4191-508-209
contact@wiska.de · www.wiska.com

