


## Empty boxes



**FP 0210**

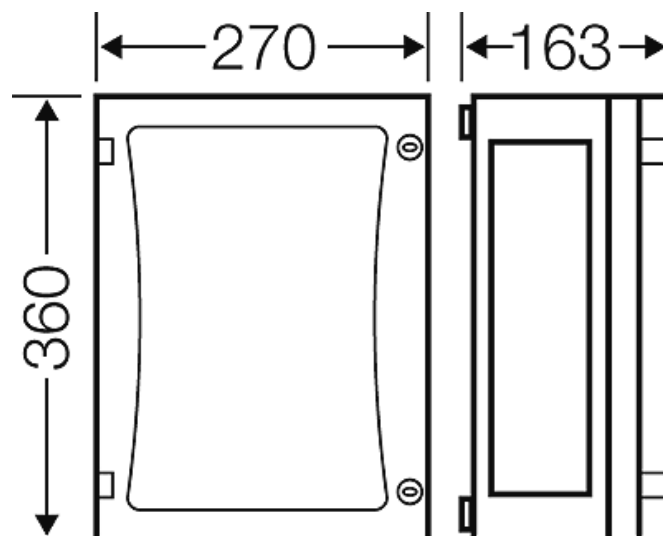
- Built-in dimensions W 216 x H 306 x D 140 mm
- door fastener with tool operation

- max. installation depth with built-in mounting plate 136 mm, with built-in DIN rail 125 mm
- box size 2
- with transparent door
- sealing device for door sealing order separately
- please order DIN rails, mounting plates or covers additionally
- connector: 4 items
- in order to achieve protection class II and degree of protection IP 65, please order closing plate sets, single closing plates and flanges separately
- material: PC (polycarbonate)
- protection class: II
- colour: grey, RAL 7035

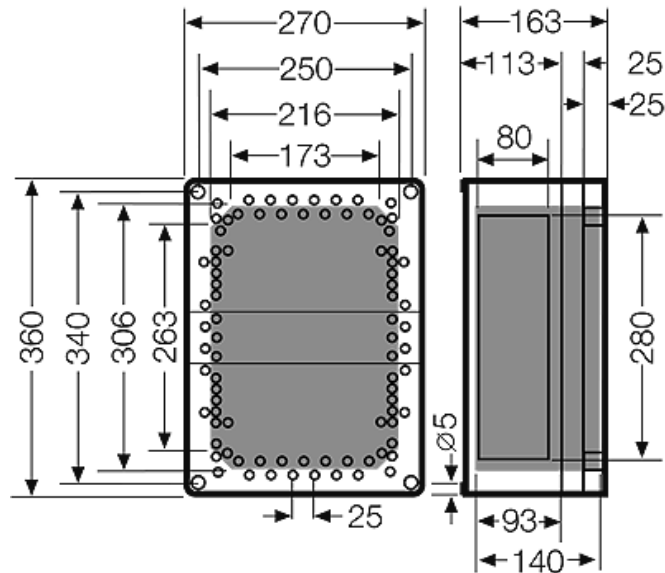
width	270 mm
height	360 mm
depth	163 mm
weight	2,123 kg

## Drawings

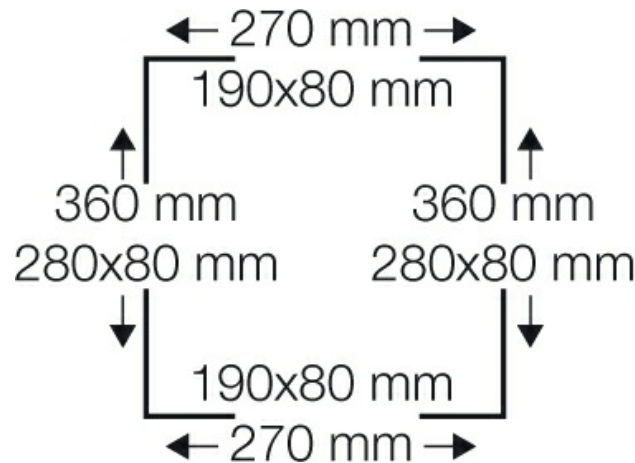
Dimension drawing



Detail mass



Box walls



## Operating and ambient conditions

Application area

Suitable for indoor installation and outdoor installation, protected against weather influences  
However, pay attention to the climatic effects on the installed equipment, for example, high or low ambient temperatures or formation of condensed water see technical information

Ambient temperature

Maximum value + 70 °C  
Minimum value - 25 °C

Fire protection in the event of internal faults

Demands placed on electrical devices from standards and laws  
Minimum requirements  
- Glow wire test in accordance with IEC 60695-2-11:  
- 650°C for boxes and cable glands  
- 850°C for parts of insulating material necessary to retain current carrying parts in position

Burning behaviour

Glow wire test IEC 60695-2-11: 960 °C  
UL Subject 94: V-2  
flame-retardant  
self-extinguishing

Degree of protection against mechanical load

IK08 (5 Joule)

Toxic behaviour

halogen-free  
silicone-free  
"halogen-free" in accordance with the examination of the  
cables and insulated wires - corrosiveness of fumes - as  
per IEC 60754-2

Note:

Additional information for protected outdoor installation: -  
In order to keep the maximum permissible ambient  
temperature of the installed equipment as well for the  
prevention from condensation additional measures as  
ventilation and/or heating may be necessary.  
For material properties see technical data.