


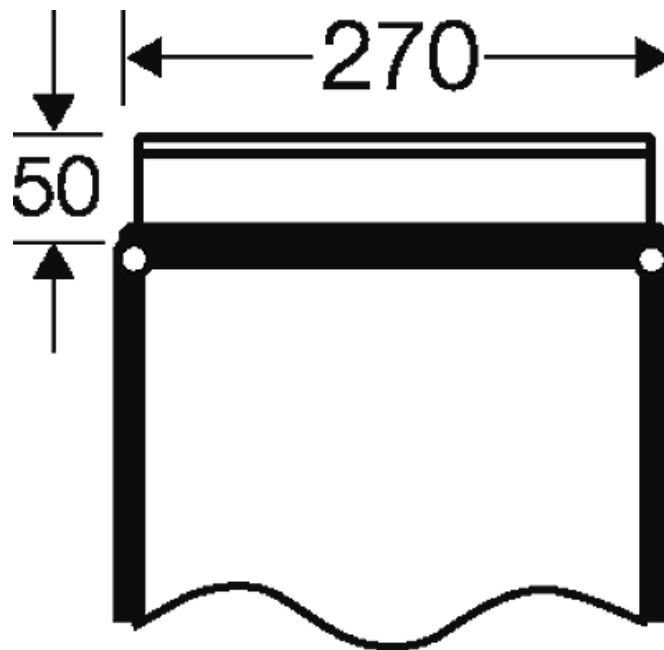
Flange and strain relief

	FP FM 225
	<ul style="list-style-type: none">• Flange• knockouts: 7 x M 16/25, 13 x M 20/25

- box size 2 (270 mm)
- attached enclosure connectors: 2 items

weight	0,413 kg
--------	----------

Drawings



Dimension drawing