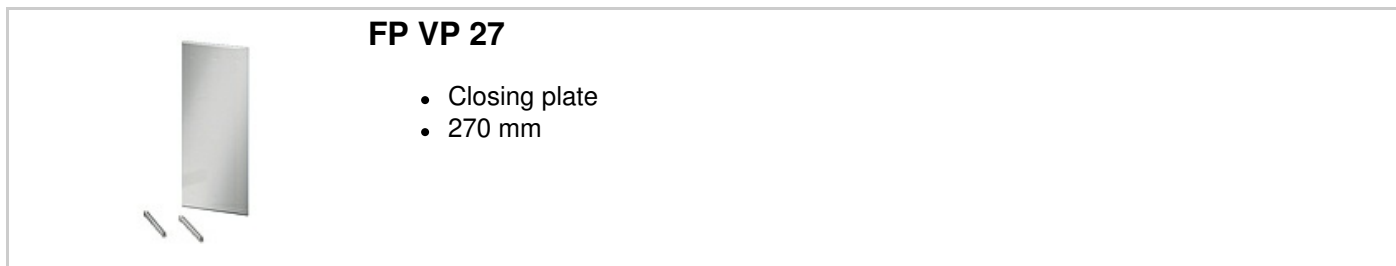


Closing plate

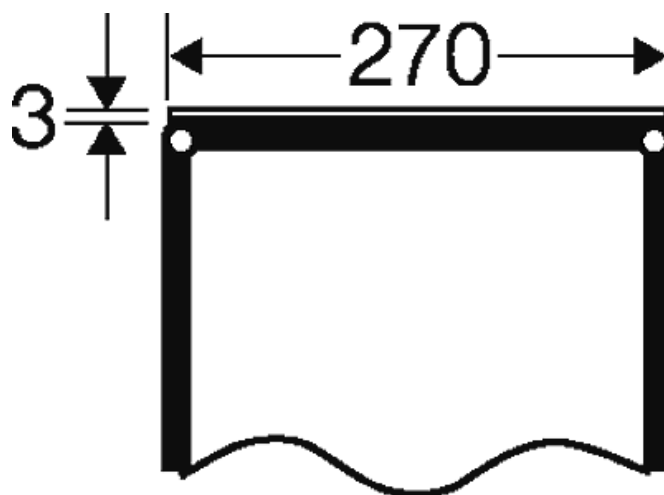


- with 2 fixing elements
- without knockouts

weight

0,132 kg

Drawings



Dimension drawing