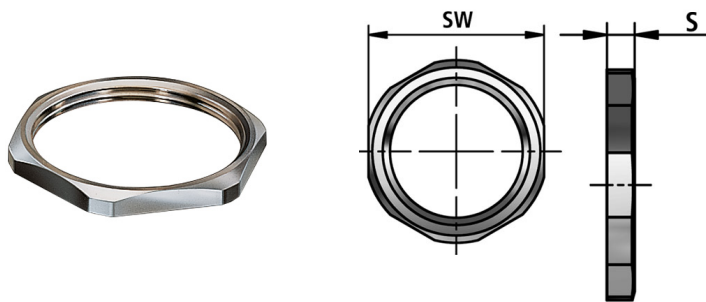


GM-P | for PG threads

Accessories

Counternut especially for metal PG threads



Temperature:	-40 °C ... +200°C
Material:	nickel-plated brass



Characteristics	Unit	Value	Test
Thermal characteristics			
Temperature range	°C	-40 °C ... +200°C	

FLEXA No.	Thread type	Colour	S [mm]	WS [mm]	Weight [kg/100]	PU [pcs.]
1053000007	PG 7	Other	2,8	15	0,190	100
1053000009	PG 9	Other	2,8	18	0,270	100
1053000011	PG 11	Other	3,0	21	0,310	100
1053000013	PG 13,5	Other	3,0	23	0,350	100
1053000016	PG 16	Other	3,0	26	0,500	100
1053000021	PG 21	Other	3,5	32	0,770	100
1053000029	PG 29	Other	4,0	41	1,290	100
1053000036	PG 36	Other	5,0	51	2,180	50
1053000048	PG 48	Other	5,5	64	3,440	25

<sup>3</sup> Article contains up to 4% lead, which is listed in SVHC list.

Recommendations for any areas of applications, products, or product combinations are issued to the best of FLEXA's knowledge and experience. The user is requested to check applicability of FLEXA products to specific applications and purposes prior to the use of the particular products. All documentation, illustrations, and charts published are subject to copyright and must not be copied, changed, used, or modified. Technical drawings, certificates, authorizations, and results by the FLEXA lab will be provided upon request. FLEXA will not be held liable for typographical or other errors and incorrect drawings. Technical modifications are subject to change without prior notice.