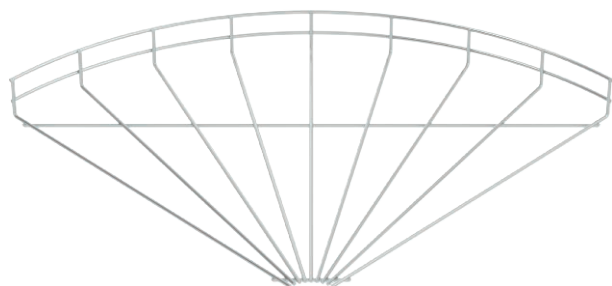


Technical data sheet

90° mesh cable tray bend, 55

Item no. 6001963



90° bend, horizontal, for all mesh cable trays of 55 mm side height.

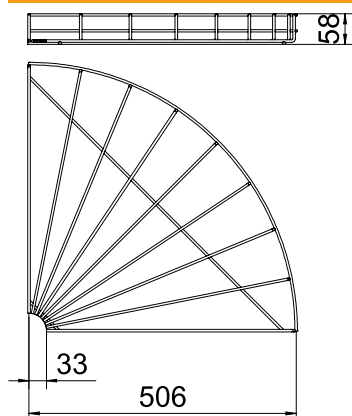


St	Steel
G	Electrogalvanised

Master data

Item no.	6001963
Type	GRB 90 550 G
Description 1	90° mesh cable tray bend
Dimension	55x500
Material	Steel
Material symbol	St
Surface	Electrogalvanised
Surface to DIN	DIN EN 12329
Surface symbol	G
Smallest sales unit (VG)	1,00 Piece
Weight	95,50 kg/100 pc.

Technical data



Width	500,00 mm
Side height	55,00 mm
Bend (angle)	90°
Connector version	Without connectors
Shape	Horizontal bend
Wire diameter	4,80 mm
Suitable for maintaining electrical function	<input type="checkbox"/>
Rustproof steel, pickled	<input type="checkbox"/>