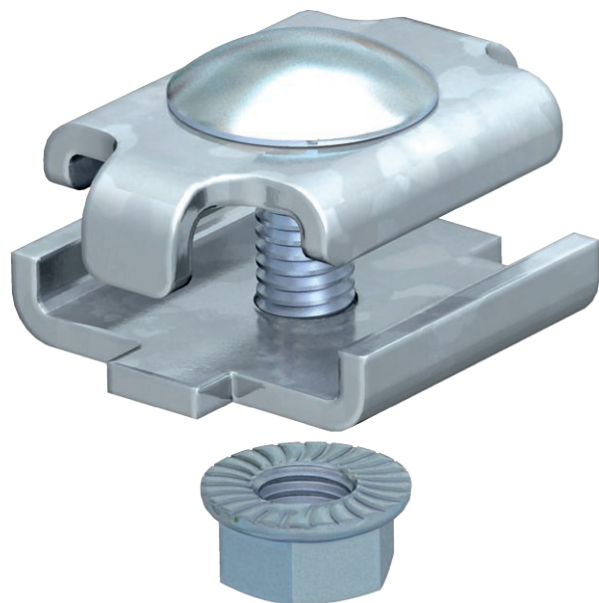


Technical data sheet

Joint connector GSV 34

Item no. 6016596



Screwed version of joint connector for mesh cable trays.



St	Steel
G	Electrogalvanised

Additional product text, instruction	Including FRS M6 x 20 bolt with flange nut.
Additional product text 1	Figure: Positioning and quantity of mesh cable tray connectors. 50-150 mm = 2 units 200-300 mm = 3 units 400-450 mm = 4 units 500-600 mm = 5 units

Master data

Item no.	6016596
Type	GSV 34 G
Description 1	Joint connector
Description 2	for mesh cable tray
Material	Steel
Material symbol	St
Surface	Electrogalvanised
Surface to DIN	DIN EN 12329
Surface symbol	G
Smallest sales unit (VG)	20,00 Piece
Weight	3,16 kg/100 pc.

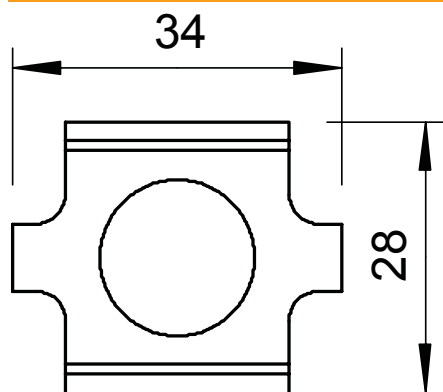
Technical data sheet

Joint connector GSV 34

Item no. 6016596



Technical data



Length	34,00 mm
Width	28,00 mm
Dimension	34 x 27,5 mm
Version	Straight connector
Suitable for cable tray	<input type="checkbox"/>
Suitable for mesh cable tray	<input checked="" type="checkbox"/>
Suitable for cable ladder	<input type="checkbox"/>
Suitable for maintaining electrical function	<input type="checkbox"/>
Adjustable connector, horizontal	<input type="checkbox"/>
Adjustable connector, vertical	<input type="checkbox"/>
Suitable for mesh cable tray wire	3,90 - 4,90 mm
Rustproof steel, pickled	<input type="checkbox"/>
Connection type	Screw connector