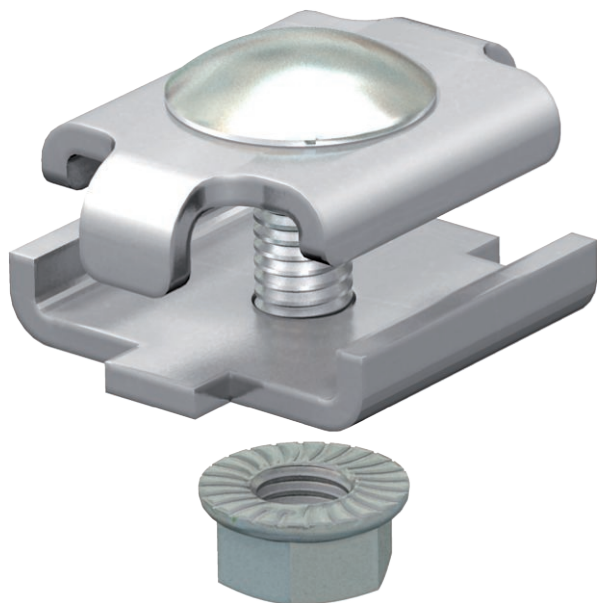


Technical data sheet

Joint connector GSV 34

Item no. 6016642



Screwed version of joint connector for mesh cable trays.



| | |
|----|-----------------------------------|
| A2 | Stainless steel, rustproof 1.4301 |
| 2B | Bright, reworked |

Additional product text, instruction Including screw of type FRS M6 x 20.

Additional product text 1 Figure: Positioning and quantity of mesh cable tray connectors.
50-150 mm = 2 units
200-300 mm = 3 units
400-450 mm = 4 units
500-600 mm = 5 units

Master data

| | |
|--------------------------|--------------------------------------|
| Item no. | 6016642 |
| Type | GSV 34 A2 |
| Description 1 | Joint connector |
| Description 2 | for mesh cable tray |
| Material | Stainless steel, material no. 1.4301 |
| Material symbol | A2 |
| Surface | Bright, reworked |
| Surface symbol | 2B |
| Smallest sales unit (VG) | 20,00 Piece |
| Weight | 2,57 kg/100 pc. |

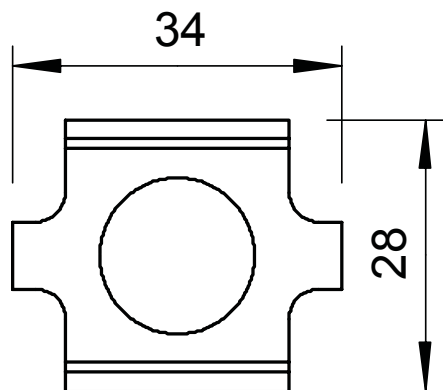
Technical data sheet

Joint connector GSV 34

Item no. 6016642



Technical data



| | |
|--|-------------------------------------|
| Dimension | 34 x 27,5 mm |
| Version | Straight connector |
| Suitable for cable tray | <input type="checkbox"/> |
| Suitable for mesh cable tray | <input checked="" type="checkbox"/> |
| Suitable for cable ladder | <input type="checkbox"/> |
| Suitable for maintaining electrical function | <input type="checkbox"/> |
| Adjustable connector, horizontal | <input type="checkbox"/> |
| Adjustable connector, vertical | <input type="checkbox"/> |
| Suitable for mesh cable tray wire | 3,90 - 4,90 mm |
| Rustproof steel, pickled | <input checked="" type="checkbox"/> |
| Connection type | Screw connector |