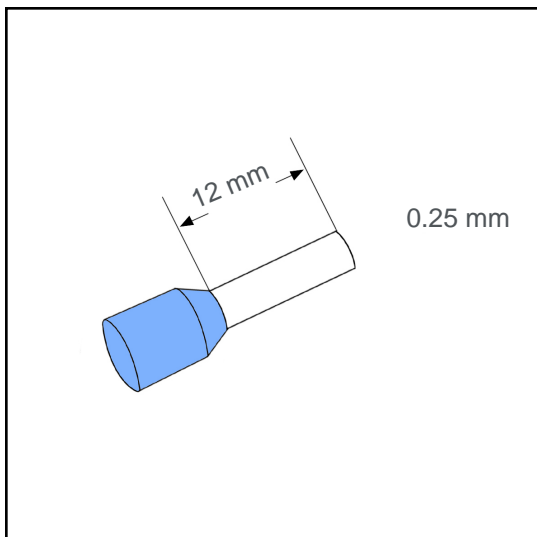


# Wire end sleeve insulated 0.25 mm<sup>2</sup> - 12 mm

## A00297



### Datasheet:

Cross section (mm <sup>2</sup> ):	0.25
AWG:	24
Length (mm):	12
Color:	light blue
Material:	E-Cu / Polypropylene
Surface:	tin plated
Minimum thickness of tin coating:	3 µm
Max. Temp:	105°C
REACH/RoHS:	confirmed

### Packing sizes:

500 pcs.:	Part no.: 005574
10 x 100 pcs.:	Part no.: 005573
50000 pcs.:	Part no.: 004989

### Dimensions (mm):

l1	l2	d1	s1	d2	s2
16.5	12	0.8	0.15	1.9	0.3

