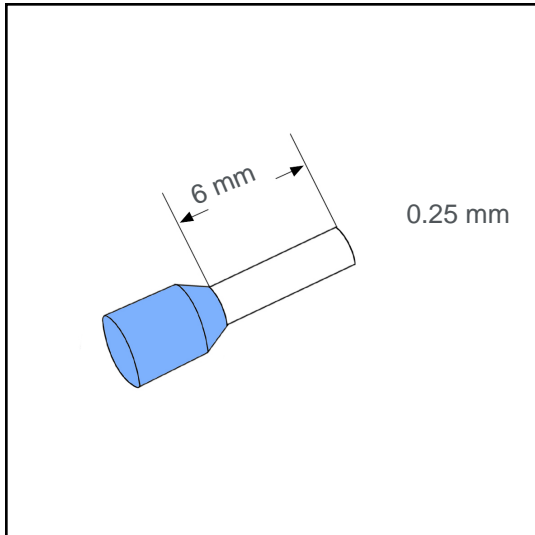


# Wire end sleeve insulated 0.25 mm<sup>2</sup> - 6 mm A00257



## Datasheet:

Cross section (mm <sup>2</sup> ):	0.25
AWG:	24
Length (mm):	6
Color:	light blue
Material:	E-Cu / Polypropylene
Surface:	tin plated
Minimum thickness of tin coating:	3 µm
Max. Temp:	105°C
REACH/RoHS:	confirmed

## Packing sizes:

500 pcs.:	Part no.: 005562
10 x 100 pcs.:	Part no.: 005561
50000 pcs.:	Part no.: 004978

## Dimensions (mm):

l1	l2	d1	s1	d2	s2
10.5	6	0.8	0.15	1.9	0.3

