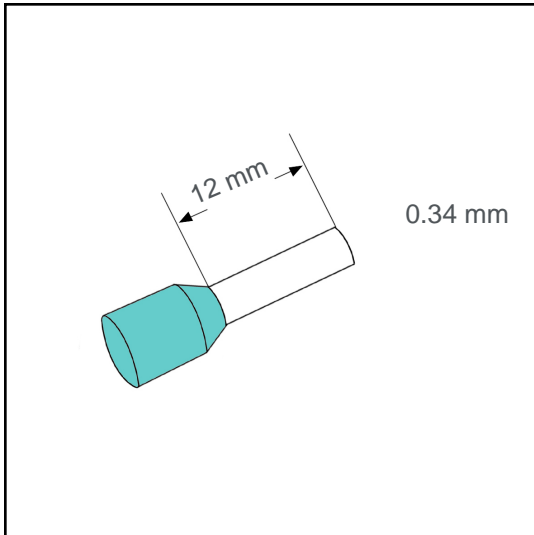


Wire end sleeve insulated 0.34 mm² - 12 mm

A00395



Datasheet:

Cross section (mm ²):	0.34
AWG:	22
Length (mm):	12
Color:	turquoise
Material:	E-Cu / Polypropylene
Surface:	tin plated
Minimum thickness of tin coating:	3 µm
Max. Temp:	105°C
REACH/RoHS:	confirmed

Packing sizes:

500 pcs.:	Part no.: 005594
10 x 100 pcs.:	Part no.: 005593
50000 pcs.:	Part no.: 005002

Dimensions (mm):

l1	l2	d1	s1	d2	s2
16.5	12	0.8	0.15	1.9	0.3

