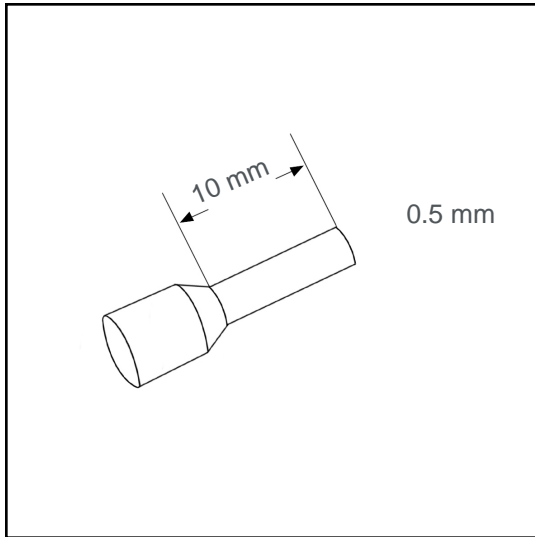


Wire end sleeve insulated 0.5 mm² - 10 mm A00575



Datasheet:

Cross section (mm ²):	0.5
AWG:	20
Length (mm):	10
Color:	white
Material:	E-Cu / Polypropylene
Surface:	tin plated
Minimum thickness of tin coating:	3 µm
Max. Temp:	105°C
REACH/RoHS:	confirmed
Certificates:	UL
DIN:	DIN 46228 T4

Packing sizes:

500 pcs.:	Part no.: 005626
10 x 100 pcs.:	Part no.: 005625
50000 pcs.:	Part no.: 005150

Dimensions (mm):

l1	l2	d1	s1	d2	s2
16	10	1.1	0.15	2.4	0.3

