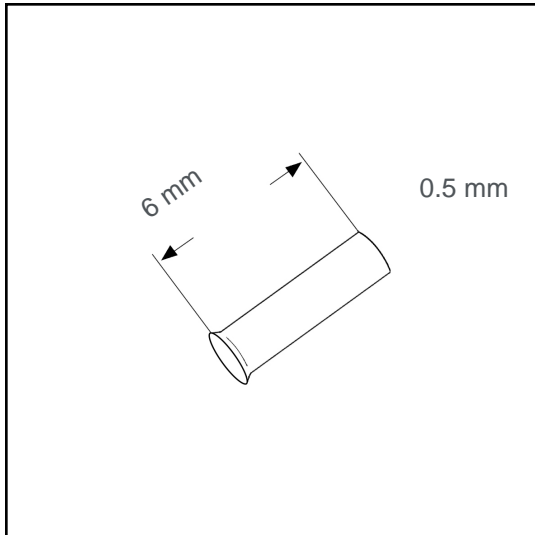


Wire end sleeve uninsulated 0.5 mm² - 6 mm B00506



Datasheet:

Cross section (mm ²):	0.5
AWG:	20
Length (mm):	6
Material:	E-Cu
Surface:	tin plated
Minimum thickness of tin coating:	3 µm
Max. Temp:	105°C
REACH/RoHS:	confirmed
Certificates:	UL
DIN:	DIN 46228 T1

Packing sizes:

1000 pcs.:	Part no.: 006006
pcs.:	Part no.: 005386

Dimensions (mm):

l1	d1	s1	d2
6	1	0.15	2.1

