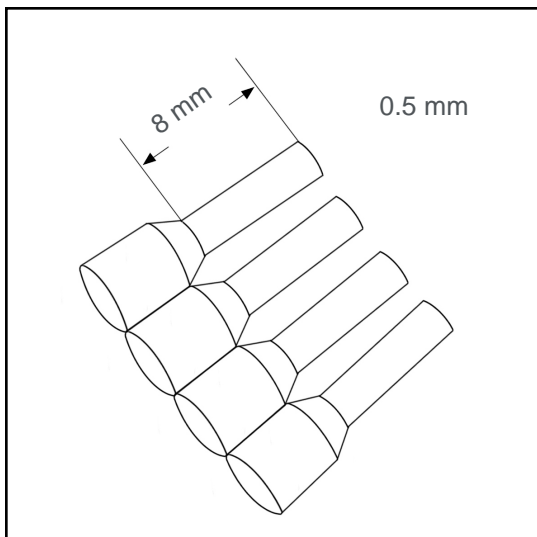


Wire end sleeve coils 0.5 mm² - 8 mm A00555K



Datasheet:

Cross section (mm ²):	0.5
AWG:	20
Length (mm):	8
Color:	white
Material:	E-Cu / Polypropylene
Surface:	tin plated
Minimum thickness of tin coating:	3 μm
Max. Temp:	105°C
REACH/RoHS:	confirmed
Certificates:	UL
DIN:	DIN 46228 T4

K- type reel

Packing sizes:

1000 pcs.: Part no.: 005611

Dimensions (mm):

l1	l2	d1	s1	d2	r
14.5	8	1.1	0.15	2.6	3.5

