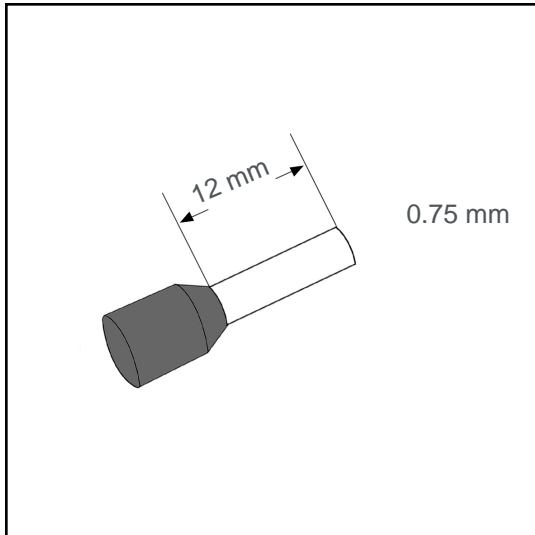


# Wire end sleeve insulated 0.75 mm<sup>2</sup> - 12 mm A00785



## Datasheet:

Cross section (mm <sup>2</sup> ):	0.75
AWG:	18
Length (mm):	12
Color:	grey
Material:	E-Cu / Polypropylene
Surface:	tin plated
Minimum thickness of tin coating:	3 µm
Max. Temp:	105°C
REACH/RoHS:	confirmed
Certificates:	UL
DIN:	DIN 46228 T4

## Packing sizes:

500 pcs.:	Part no.: 005700
10 x 100 pcs.:	Part no.: 005699
50000 pcs.:	Part no.: 005163

## Dimensions (mm):

l1	l2	d1	s1	d2	s2
18	12	1.3	0.15	2.7	0.3

