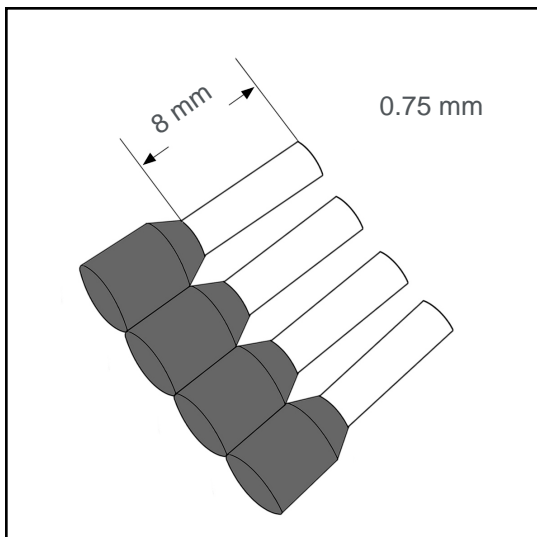


# Wire end sleeve coils 0.75 mm<sup>2</sup> - 8 mm A00755K



## Datasheet:

Cross section (mm <sup>2</sup> ):	0.75
AWG:	18
Length (mm):	8
Color:	grey
Material:	E-Cu / Polypropylene
Surface:	tin plated
Minimum thickness of tin coating:	3 µm
Max. Temp:	105°C
REACH/RoHS:	confirmed
Certificates:	UL
DIN:	DIN 46228 T4

K- type reel

## Packing sizes:

1000 pcs.: Part no.: 005660

## Dimensions (mm):

l1	l2	d1	s1	d2	r
14.5	8	1.3	0.15	2.7	3.6

