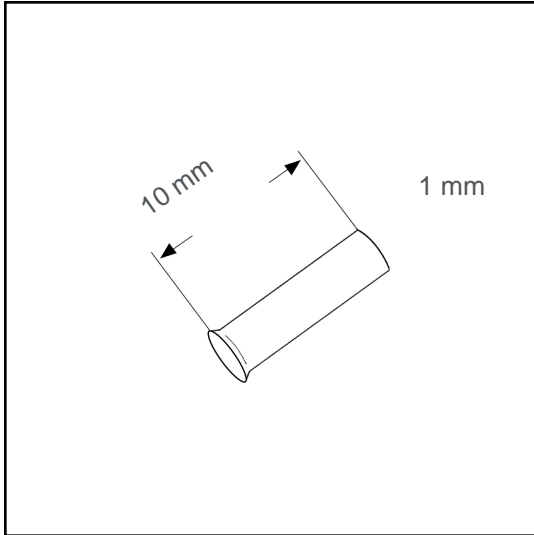


Wire end sleeve uninsulated 1 mm² - 10 mm B01010



Datasheet:

Cross section (mm ²):	1
AWG:	18
Length (mm):	10
Material:	E-Cu
Surface:	tin plated
Minimum thickness of tin coating:	3 µm
Max. Temp:	105°C
REACH/RoHS:	confirmed
Certificates:	UL
DIN:	DIN 46228 T1

Packing sizes:

1000 pcs.:	Part no.: 006022
pcs.:	Part no.: 005396

Dimensions (mm):

l1	d1	s1	d2
10	1.4	0.15	2.5

