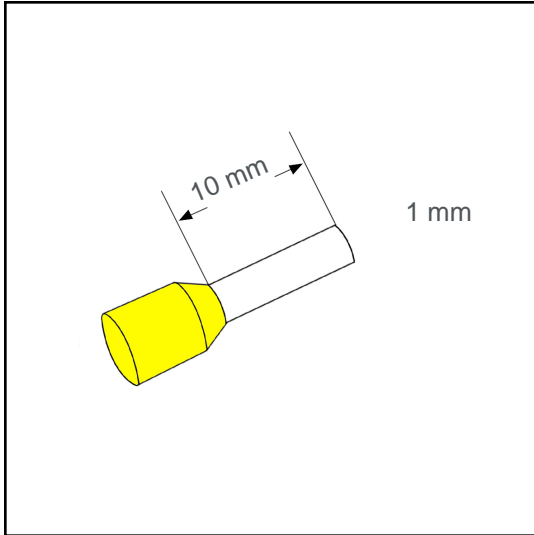


# Wire end sleeve insulated 1 mm<sup>2</sup> - 10 mm

## A01077



### Datasheet:

Cross section (mm <sup>2</sup> ):	1
AWG:	18
Length (mm):	10
Color:	yellow
Material:	E-Cu / Polypropylene
Surface:	tin plated
Minimum thickness of tin coating:	3 µm
Max. Temp:	105°C
REACH/RoHS:	confirmed

### Packing sizes:

500 pcs.:	Part no.: 005743
10 x 100 pcs.:	Part no.: 005742
50000 pcs.:	Part no.: 005170

### Dimensions (mm):

l1	l2	d1	s1	d2	s2
16.5	10	1.45	0.15	3	0.3

