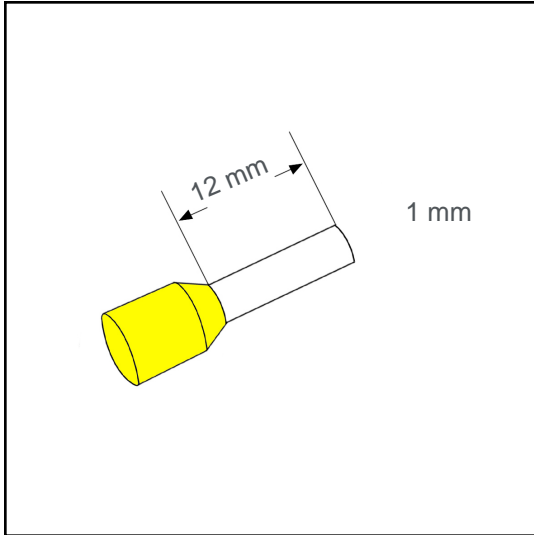


Wire end sleeve insulated 1 mm² - 12 mm A01087



Datasheet:

Cross section (mm ²):	1
AWG:	18
Length (mm):	12
Color:	yellow
Material:	E-Cu / Polypropylene
Surface:	tin plated
Minimum thickness of tin coating:	3 µm
Max. Temp:	105°C
REACH/RoHS:	confirmed

Packing sizes:

500 pcs.:	Part no.: 006410
10 x 100 pcs.:	Part no.: 006409
50000 pcs.:	Part no.: 006411

Dimensions (mm):

l1	l2	d1	s1	d2	s2
18.5	12	1.45	0.15	3	0.3

