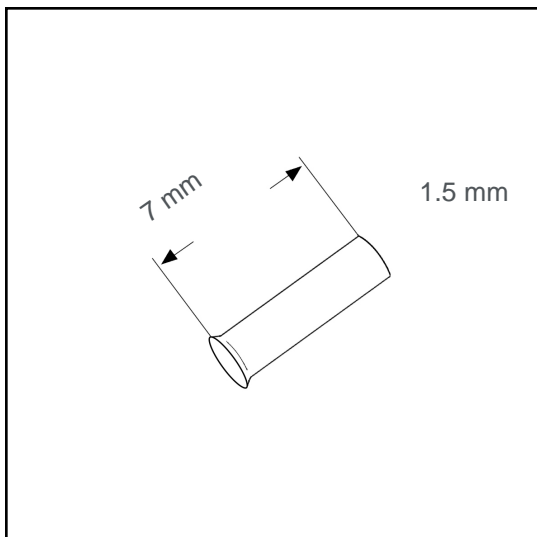


# Wire end sleeve uninsulated 1.5 mm<sup>2</sup> - 7 mm

## B01507



### Datasheet:

|                                   |              |
|-----------------------------------|--------------|
| Cross section (mm <sup>2</sup> ): | 1.5          |
| AWG:                              | 16           |
| Length (mm):                      | 7            |
| Material:                         | E-Cu         |
| Surface:                          | tin plated   |
| Minimum thickness of tin coating: | 3 µm         |
| Max. Temp:                        | 105°C        |
| REACH/RoHS:                       | confirmed    |
| Certificates:                     | UL           |
| DIN:                              | DIN 46228 T1 |

### Packing sizes:

|            |                  |
|------------|------------------|
| 1000 pcs.: | Part no.: 006027 |
| pcs.:      | Part no.: 005399 |

### Dimensions (mm):

|    |     |      |     |
|----|-----|------|-----|
| l1 | d1  | s1   | d2  |
| 7  | 1.7 | 0.15 | 2.8 |

