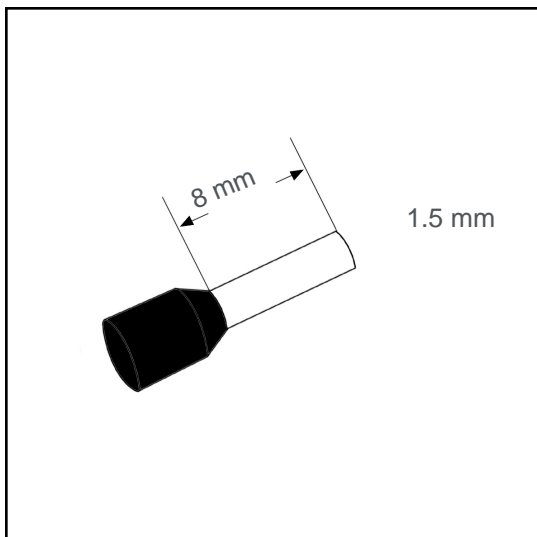


Wire end sleeve insulated 1.5 mm² - 8 mm A01555



Datasheet:

Cross section (mm ²):	1.5
AWG:	16
Length (mm):	8
Color:	black
Material:	E-Cu / Polypropylene
Surface:	tin plated
Minimum thickness of tin coating:	3 µm
Max. Temp:	105°C
REACH/RoHS:	confirmed
Certificates:	UL
DIN:	DIN 46228 T4

Packing sizes:

500 pcs.:	Part no.: 005763
10 x 100 pcs.:	Part no.: 005762
50000 pcs.:	Part no.: 005174

Dimensions (mm):

l1	l2	d1	s1	d2	s2
14.5	8	1.73	0.15	3.4	0.3

