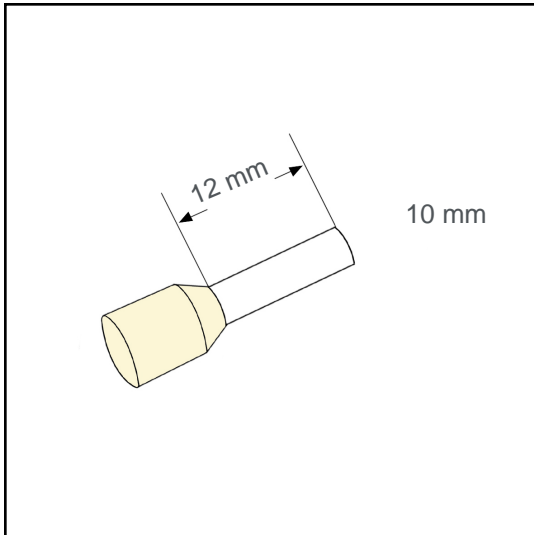


# Wire end sleeve insulated 10 mm<sup>2</sup> - 12 mm A10057



## Datasheet:

Cross section (mm <sup>2</sup> ):	10
AWG:	8
Length (mm):	12
Color:	ivory
Material:	E-Cu / Polypropylene
Surface:	tin plated
Minimum thickness of tin coating:	3 µm
Max. Temp:	105°C
REACH/RoHS:	confirmed

## Packing sizes:

100 pcs.:	Part no.: 005906
10 x 100 pcs.:	Part no.: 005905
25000 pcs.:	Part no.: 005205

## Dimensions (mm):

l1	l2	d1	s1	d2	s2
21	12	4.6	0.2	7.4	0.3

