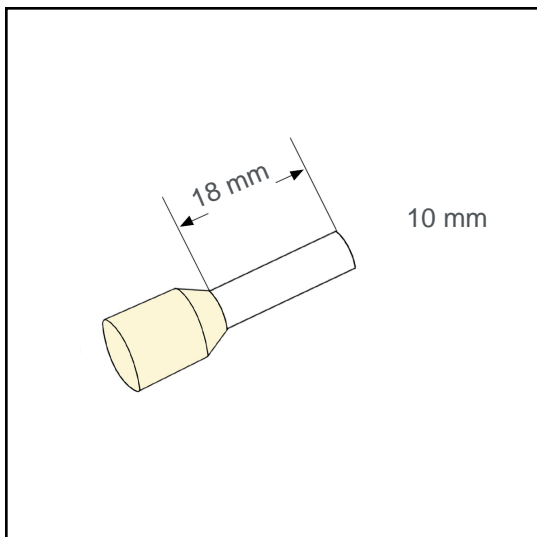


Wire end sleeve insulated 10 mm² - 18 mm A10087



Datasheet:

Cross section (mm ²):	10
AWG:	8
Length (mm):	18
Color:	ivory
Material:	E-Cu / Polypropylene
Surface:	tin plated
Minimum thickness of tin coating:	3 µm
Max. Temp:	105°C
REACH/RoHS:	confirmed

Packing sizes:

100 pcs.:	Part no.: 005914
10 x 100 pcs.:	Part no.: 005913
25000 pcs.:	Part no.: 005208

Dimensions (mm):

l1	l2	d1	s1	d2	s2
27	18	4.6	0.2	7.4	0.3

